



WARNUNG

Gefahr des Verlusts der Text-Bild-Zuordnung beim Ausdruck.

- **Aus technischen Gründen kann derzeit nicht ausgeschlossen werden, dass trotz einwandfreier Darstellung auf dem Bildschirm beim Ausdruck der Zusammenhang von Text und zugehörigem Bild verloren geht.**
- **Wird der Fehler nicht bemerkt, besteht die Gefahr, daß Arbeiten nicht korrekt durchgeführt werden und es dadurch zu Personen- und Sachschäden kommt.**

→ Vergleichen Sie deshalb nach dem Druckvorgang unbedingt die Ausdrücke mit der Bildschirmdarstellung. Korrigieren Sie die Ausdrücke im Fehlerfall so, daß der Inhalt der Bildschirmdarstellung zutreffend wiedergegeben wird.



WARNING

Danger of losing text-figure correspondence when printing out.

- **For technical reasons, it can currently not be ruled out that the correspondence between text and associated figure can be lost when it is printed out, even though the display on the screen is correct.**
- **If the fault is not noticed, there is the danger that work will not be performed correctly which can cause injury and damage.**

→ Therefore, always compare printouts with the screen display after printing them out. Correct the printouts if they are faulty so that the content of the screen display matches that on the printouts.



AVERTISSEMENT

Risque de perte de la correspondance texte-illustration lors de l'impression papier.

- **Pour des raisons techniques, il ne peut pas être exclu à l'heure actuelle que, même en cas d'affichage correct à l'écran, la correspondance entre le texte et l'illustration puisse être erronée sur l'impression papier.**
- **Si l'erreur passe inaperçue, on court le risque d'exécuter certaines opérations de manière incorrecte pouvant conduire à des dommages corporels et matériels.**

→ Comparez impérativement pour cette raison les impressions papier avec l'affichage à l'écran. Corrigez-les en cas d'erreur de manière à reproduire correctement l'affichage à l'écran.



ATTENZIONE

Pericolo di perdita dell'abbinamento testo-immagine nella stampa.

- **Per motivi tecnici non è escluso che, nonostante la rappresentazione sullo schermo risulti perfetta, durante la stampa venga persa la corrispondenza fra testo e relativa immagine.**
- **Se tale difetto non viene rilevato vi è il pericolo che i lavori non siano eseguiti correttamente; ciò può avere come conseguenza lesioni e danneggiamenti.**

→ Per questo motivo, dopo la stampa è assolutamente necessario confrontare le stampe con la rappresentazione sullo schermo. In caso di errore si prega di correggere le stampe, così da garantire la riproduzione esatta della rappresentazione sullo schermo.



ADVERTENCIA

Al imprimir se corre el riesgo de perder la correcta asignación de las figuras al texto.

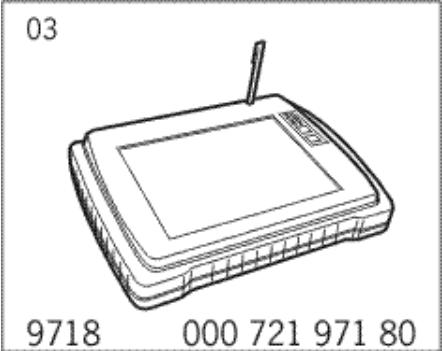
- **Por motivos técnicos, por el momento no se puede descartar que, aun siendo correcta la imagen que aparezca en la pantalla, al imprimir se pierda la correlación entre el texto y la figura correspondiente.**
- **Si este error pasara desapercibido, existe el riesgo de que los trabajos no se ejecuten de forma correcta y, por tanto, se produzcan daños personales y materiales.**

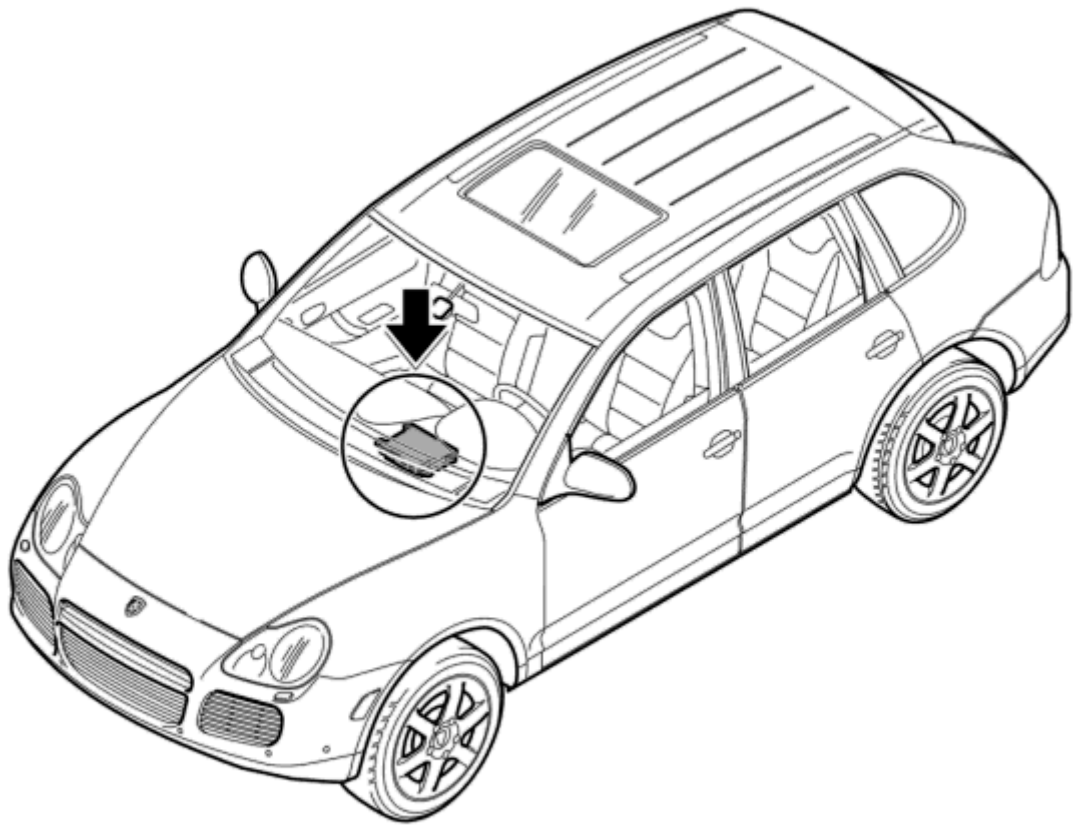
→ Por ello le rogamos que tras el proceso de impresión compare siempre las copias impresas con la imagen de la pantalla. En caso de error, corrija las copias impresas de forma que se correspondan con el contenido de la imagen de la pantalla.

91 90 19 Removing and installing control unit for telephone - as of MY 2003

- [Removing control unit for telephone](#)
- [Installing control unit for telephone](#)
- [Coding control unit for telephone](#)

Tools

Designation	Type	Number	Explanation	
PIWIS Tester	special tool	P 9718		 A photograph of a PIWIS Tester device, a handheld electronic device with a screen and a small antenna. The number '03' is in the top left corner of the image frame, and '9718' and '000 721 971 80' are in the bottom left and bottom right corners respectively.



Install location

[top of page](#)

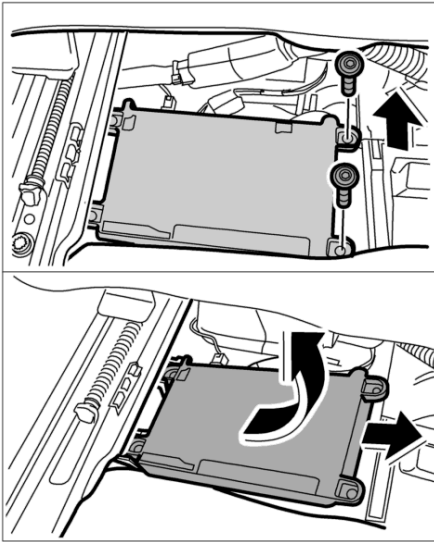
Removing control unit for telephone



Note

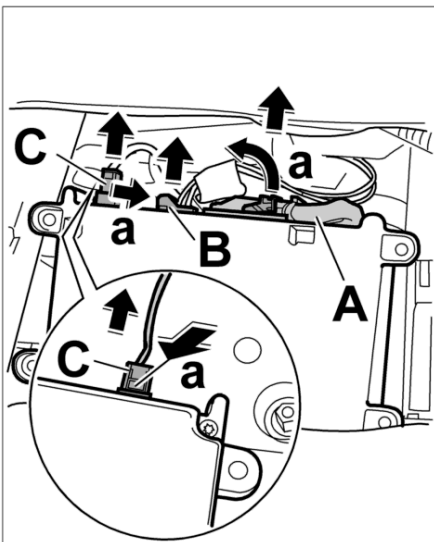
- *The control module is located under the right front seat.*

The ignition key must be removed before starting the assembly work.
Move right front seat all the way forward and up.



Fastening screws

1. Undo both fastening screws on the telephone control unit.
2. Lift out the control unit from the holder [-arrow-](#) .



Electrical plug connections

3. Press latch on the electrical plug [-A-](#) and open the locking lever [-a-](#) , remove plug.
4. Press latch on the electrical plug [-B-](#) for optical fibre and remove plug.
5. Turn over control unit, press latch on the antenna plug [-C-](#) and remove plug.
6. Remove control unit.

[top of page](#)

Installing control unit for telephone



Note

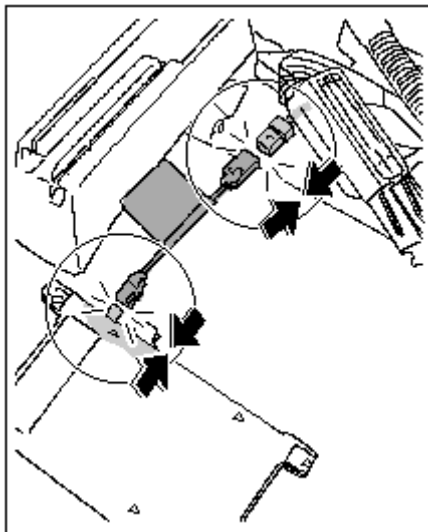
- *The Porsche System Tester instructions take precedence and in the event of a discrepancy these are the instructions that must be followed. Deviations may occur with later software versions.*

1. If the control unit has to be replaced, the coding must be read out prior to removal using the [PIWIS Tester P 9718](#). → 919019 Removing and installing control unit for telephone - section on "Coding"



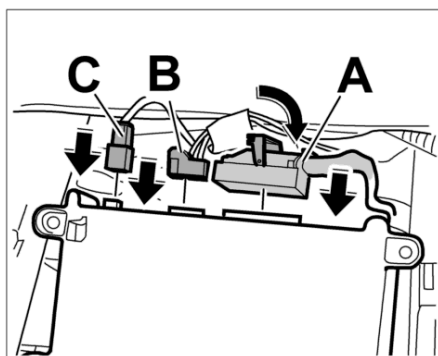
Note

If a new telephone control unit is installed, an adapter cable for the antenna line must also be installed on vehicles of model year 2003 and 2004. See Spare Parts Catalogue.



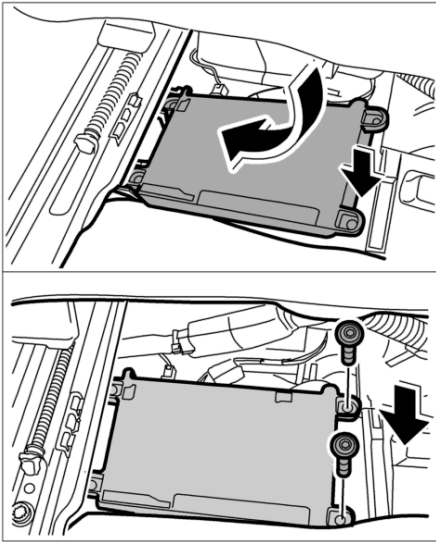
Adapter cable for new telephone control unit

- *Plug in adapter cable on wire harness connector until the connector is felt to engage.*



Electric plug connections

2. Push in electric plug connections [-C, B-](#) until plugs are felt to engage.
3. Position plug [-A-](#) and lock it with the locking lever until the retainer clicks into place.



Engaging control unit in holder.

4. Engage the control unit in the holder **-Arrow-** and screw down with both fastening screws.
5. If a new control unit was installed, it must be coded. → [919019 Removing and installing control unit for telephone – section on “Coding”](#)

[top of page](#)

Coding control unit for telephone

Coding control unit for telephone



WARNING

Sudden voltage interruption of the power supply to the control module.

- **Destruction of the control module.**

→ During programming, it is essential to guarantee the power supply for the Porsche System tester. It is essential to connect a battery charger with a current rating of at least 40 A to the vehicle battery.

→ Prior to disconnecting the control module, switch off the ignition and remove the ignition key.



Note

Follow the instructions on the Tester.

Later versions of the software may display slightly different text or require a slightly different procedure. The instructions you receive from the tester itself take precedence over this description.

1. Connect the Porsche System Tester to the vehicle and start the System Tester. Switch on the ignition. >> Continue.

2. Select the **vehicle type**.
 3. Using the >> key, move from **Vehicle type** to the list of **Control units** and perform the automatic control unit search.
 4. Select **PCM2** with the cursor keys and press the >> key.
 5. Select **Telephone** with the cursor keys and press the >> key.
 6. Select **Coding** using the cursor keys and press >> .
 7. Select **Read out coding** (codings) with the cursor keys and press >> .
 8. Switch off ignition and replace control unit.
 9. Switch on ignition. Select **Control unit replacementWrite in coding** >> to install the data that was read out.
 10. Change to the **Coding** menu, select the following coding variants in sequence and code the vehicle equipment by pressing F8 . Follow the instructions on the Tester.
 - 10.1. Vehicle type vehicle coding
 - 10.2. Vehicle version vehicle coding
 - 10.3. Air conditioning
 - 10.4. Right/left-hand drive vehicle coding
 - 10.5. Engine version
 11. Switch to **Telephone function selection** and then read out the fault memory and erase it.
-

9PAAD1, 9PAAD7, 9PAAE1, 9PAAE7, 9PAAF1, 9PAAJ1

as of MY 2003

Country C00, C02, C05, C07, C08, C09, C10, C11, C12, C13, C14, C15, C16, C18, C19, C20, C21, C22, C23, C24, C25, C26, C27, C28, C32, C33, C34, C35, C36, C37, C38, C39, C45, C46, C98, C99