

**WARNUNG**

Gefahr des Verlusts der Text-Bild-Zuordnung beim Ausdruck.

- **Aus technischen Gründen kann derzeit nicht ausgeschlossen werden, dass trotz einwandfreier Darstellung auf dem Bildschirm beim Ausdruck der Zusammenhang von Text und zugehörigem Bild verloren geht.**
- **Wird der Fehler nicht bemerkt, besteht die Gefahr, daß Arbeiten nicht korrekt durchgeführt werden und es dadurch zu Personen- und Sachschäden kommt.**

→ Vergleichen Sie deshalb nach dem Druckvorgang unbedingt die Ausdrücke mit der Bildschirmdarstellung. Korrigieren Sie die Ausdrücke im Fehlerfall so, daß der Inhalt der Bildschirmdarstellung zutreffend wiedergegeben wird.

**WARNING**

Danger of losing text-figure correspondence when printing out.

- **For technical reasons, it can currently not be ruled out that the correspondence between text and associated figure can be lost when it is printed out, even though the display on the screen is correct.**
- **If the fault is not noticed, there is the danger that work will not be performed correctly which can cause injury and damage.**

→ Therefore, always compare printouts with the screen display after printing them out. Correct the printouts if they are faulty so that the content of the screen display matches that on the printouts.

**AVERTISSEMENT**

Risque de perte de la correspondance texte-illustration lors de l'impression papier.

- **Pour des raisons techniques, il ne peut pas être exclu à l'heure actuelle que, même en cas d'affichage correct à l'écran, la correspondance entre le texte et l'illustration puisse être erronée sur l'impression papier.**
- **Si l'erreur passe inaperçue, on court le risque d'exécuter certaines opérations de manière incorrecte pouvant conduire à des dommages corporels et matériels.**

→ Comparez impérativement pour cette raison les impressions papier avec l'affichage à l'écran. Corrigez-les en cas d'erreur de manière à reproduire correctement l'affichage à l'écran.

**ATTENZIONE**

Pericolo di perdita dell'abbinamento testo-immagine nella stampa.

- **Per motivi tecnici non è escluso che, nonostante la rappresentazione sullo schermo risulti perfetta, durante la stampa venga persa la corrispondenza fra testo e relativa immagine.**
- **Se tale difetto non viene rilevato vi è il pericolo che i lavori non siano eseguiti correttamente; ciò può avere come conseguenza lesioni e danneggiamenti.**

→ Per questo motivo, dopo la stampa è assolutamente necessario confrontare le stampe con la rappresentazione sullo schermo. In caso di errore si prega di correggere le stampe, così da garantire la riproduzione esatta della rappresentazione sullo schermo.

**ADVERTENCIA**

Al imprimir se corre el riesgo de perder la correcta asignación de las figuras al texto.

- **Por motivos técnicos, por el momento no se puede descartar que, aun siendo correcta la imagen que aparezca en la pantalla, al imprimir se pierda la correlación entre el texto y la figura correspondiente.**
- **Si este error pasara desapercibido, existe el riesgo de que los trabajos no se ejecuten de forma correcta y, por tanto, se produzcan daños personales y materiales.**

→ Por ello le rogamos que tras el proceso de impresión compare siempre las copias impresas con la imagen de la pantalla. En caso de error, corrija las copias impresas de forma que se correspondan con el contenido de la imagen de la pantalla.

70 83 37 Disassembling and assembling front roof console - as of MY 2003

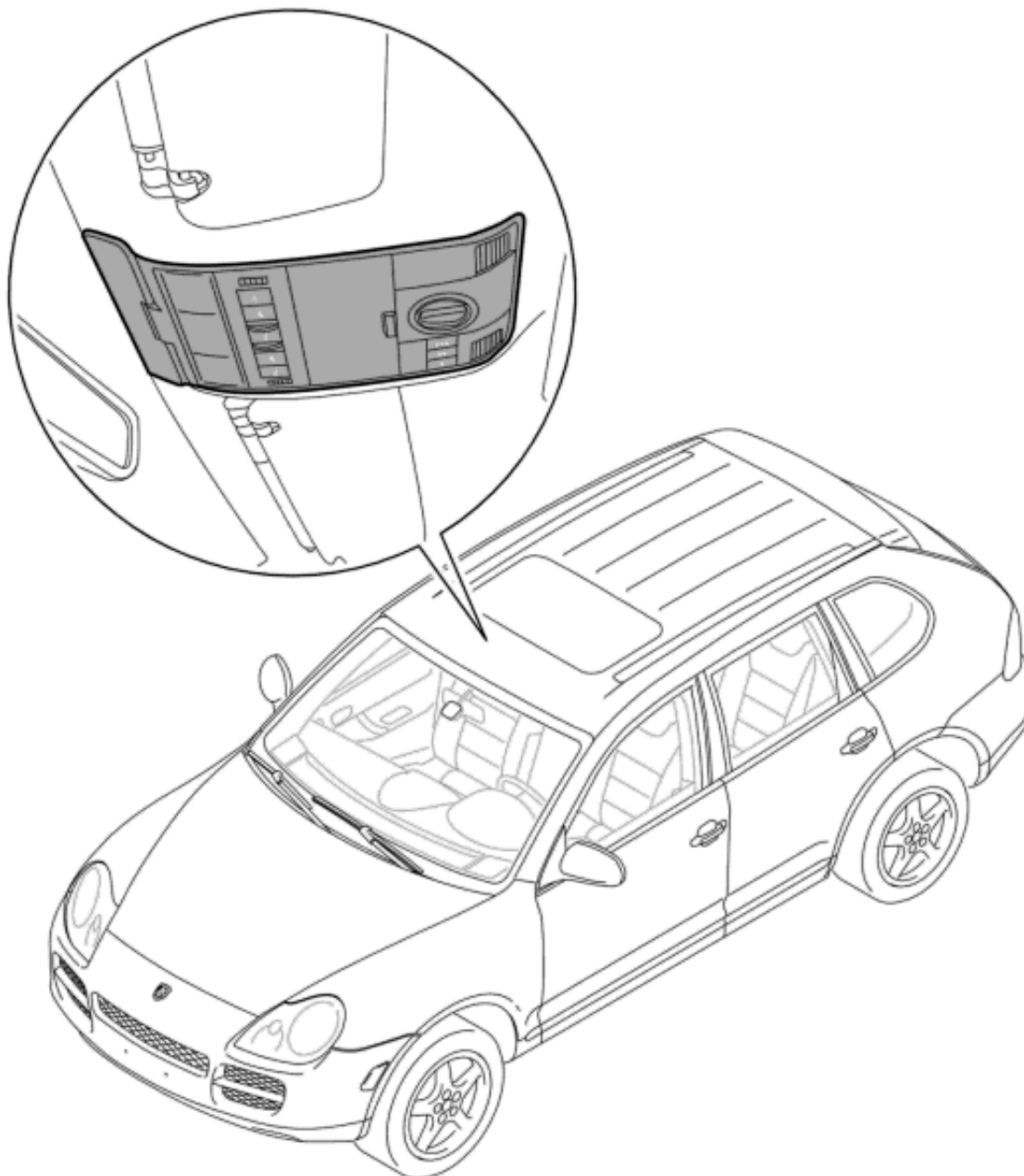
- [Disassembling front roof console](#)

- [Assembling front roof console](#)

Disassembling front roof console

Disassembling front roof console

Installation Location:



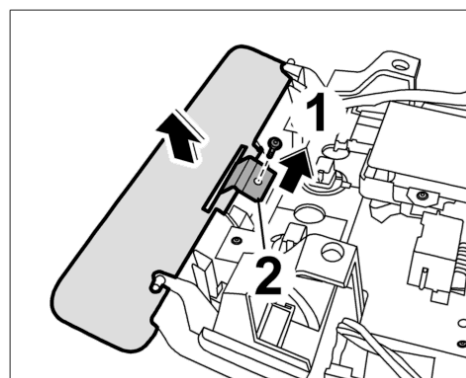
Remove front roof console. → 601219 Removing and installing switch for sunroof - section on "Removing"



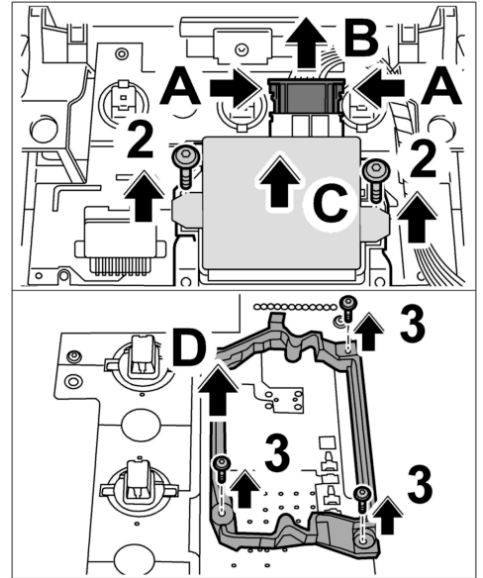
Note

- The repair description relates to a fully equipped roof console.

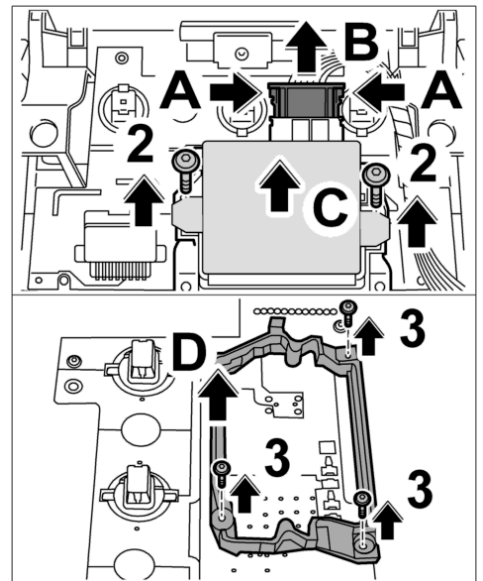
1. Unscrew fastening screw **-1-** and take out the sun visor along with the support **-2-** (**-arrow-**).



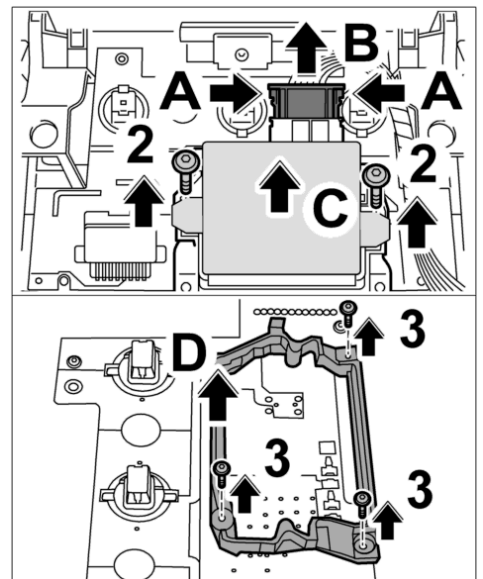
2. Unlock connector on garage door opener control unit **-arrows A-** and pull it off **-arrow B-** .



3. Unscrew the two fastening screws **-2-** and remove the control unit **-arrow C-** .

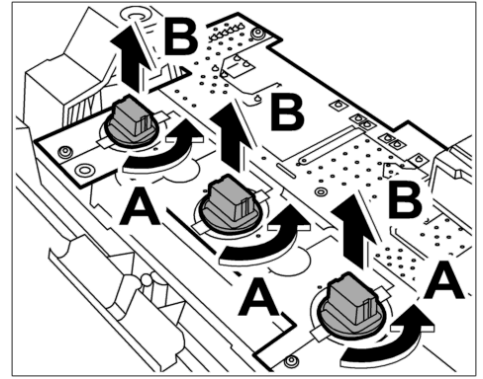


4. Unscrew the fastening screws **-3-** and take out the support **-arrow D-** .

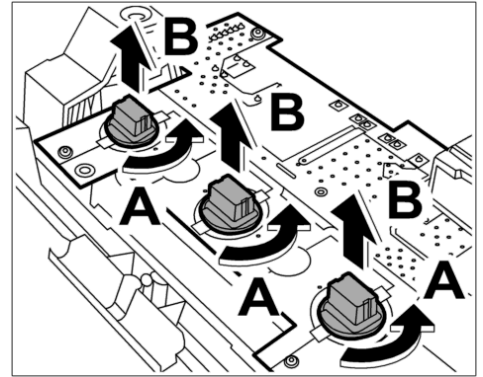


Note

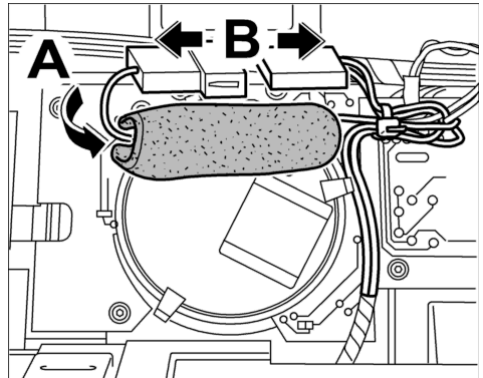
- Only if replacing the printed circuit board



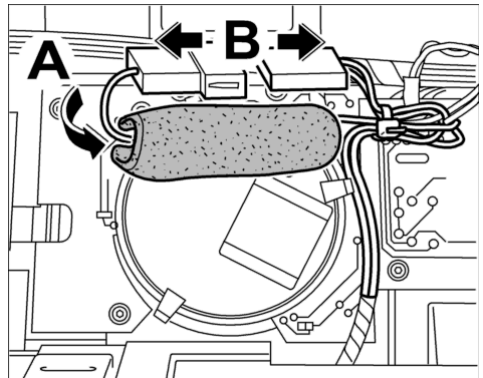
5. Turn the sockets of the bulbs for interior lighting to the left **-arrow A-** and remove them **-arrow B-** .



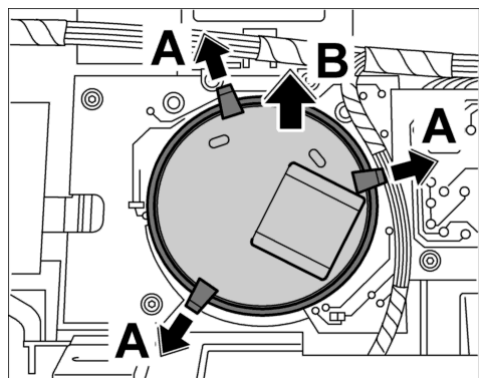
6. Pull the piece of plastic foam off the plug connection **-arrow A-** .



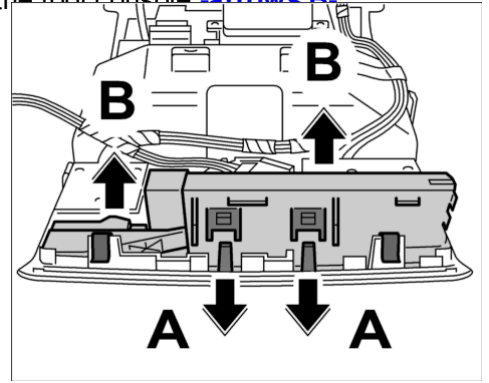
7. Disconnect plug connection **-arrows B-** .



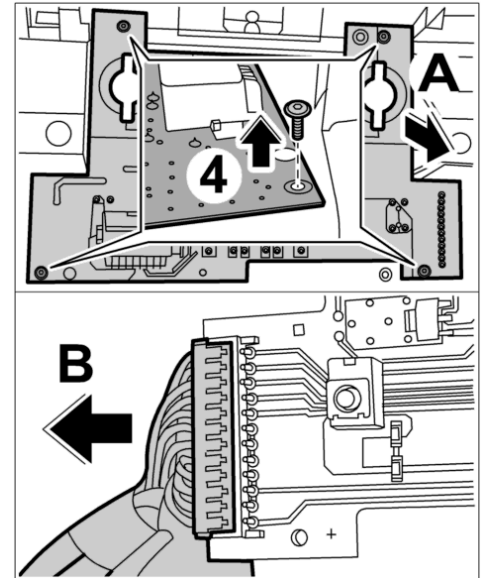
8. Carefully pull the three locking tabs **-A-** apart and pull the switch up and out **-B-** .



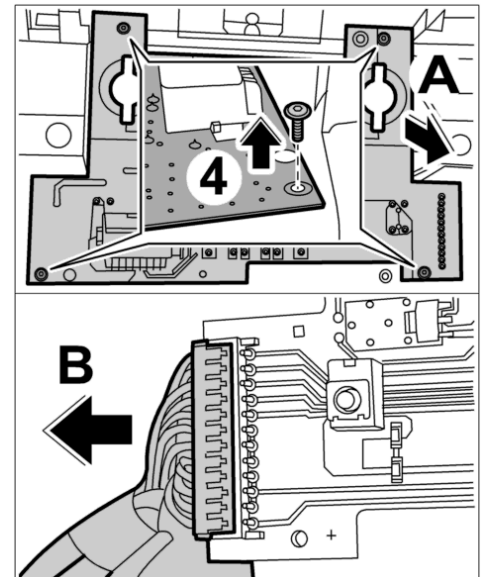
9. Release sensor for interior monitoring **-arrows A-** and remove it from the roof console **-arrows B-**.



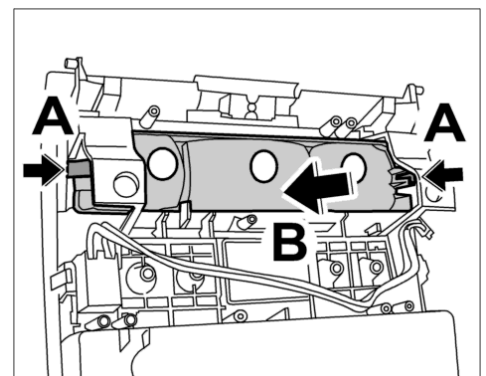
10. Unscrew the four fastening screws **-4-** and remove printed circuit board for interior lighting **-arrow-**.



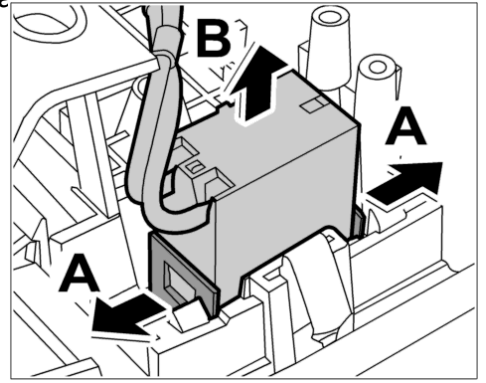
11. Carefully pull the connector off the printed circuit board **-arrow B-**.



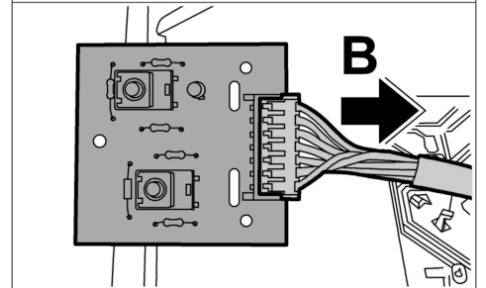
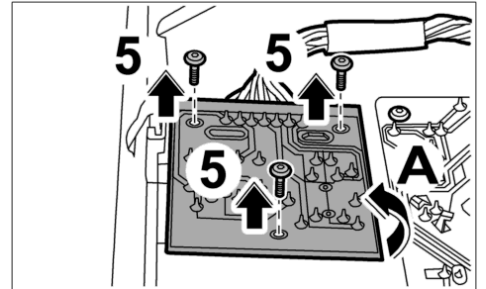
12. Press in the two clips **-arrows A-** and press the reading light out in a downward direction **-arrow B-**.



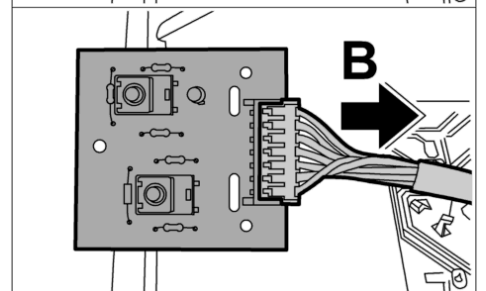
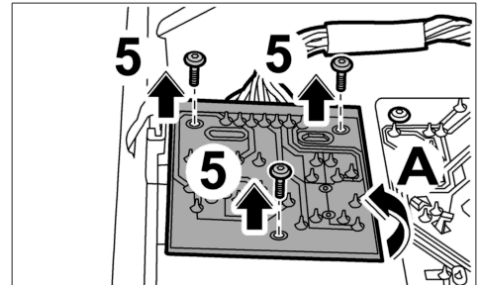
13. Release the microphone holder using a small screwdriver **-arrows A-** and remove the microphone **-arrow B-**.



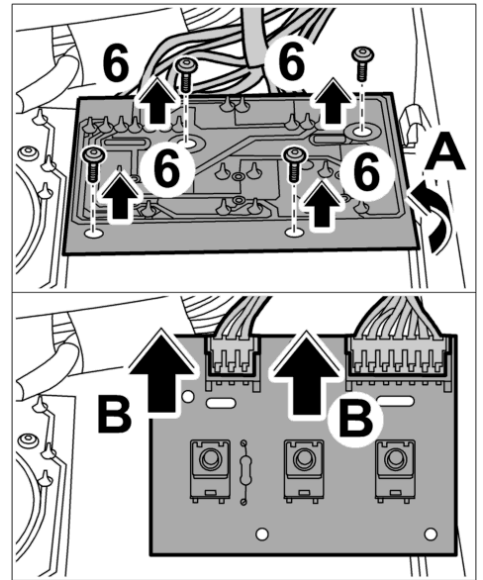
14. Unscrew the three fastening screws **-5-**.



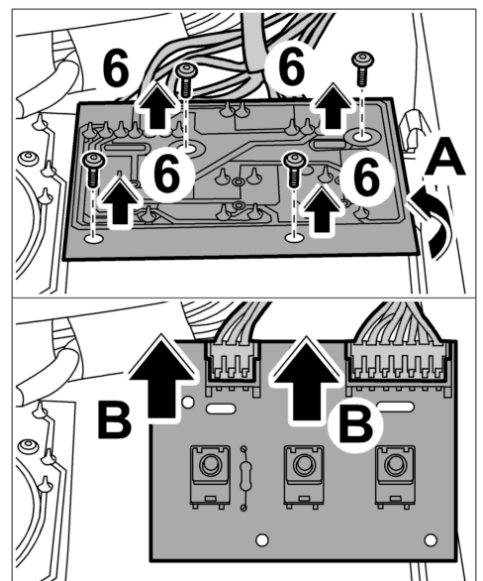
15. Turn the printed circuit board **-arrow A-** and pull the connector off the printed circuit board (P- & SOS button) **-arrow B-**.



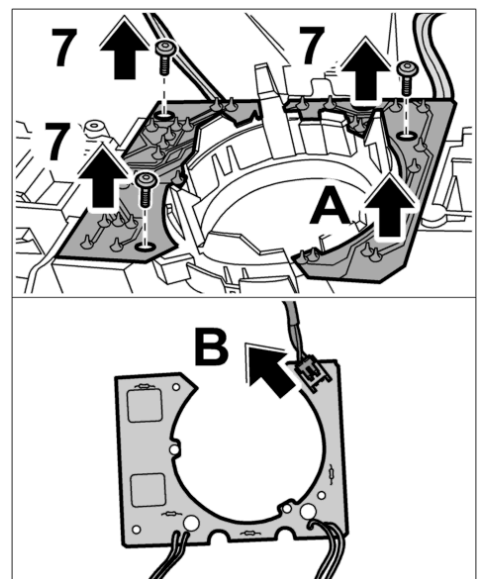
16. Unscrew the four fastening screws **-6-**.



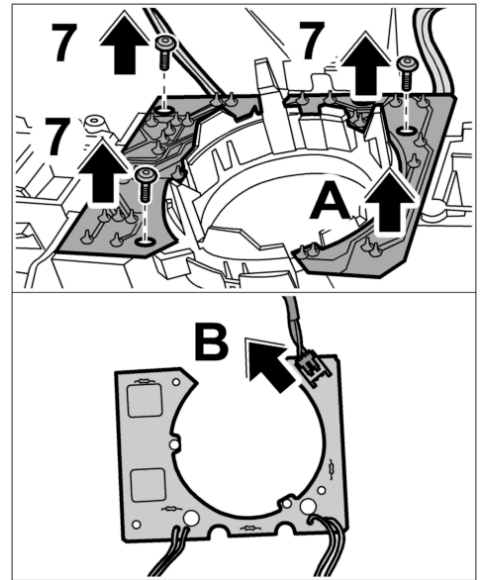
17. Turn the printed circuit board (garage door opener) **-arrow A-** and pull the two connectors off the printed circuit board **-arrows B-**.



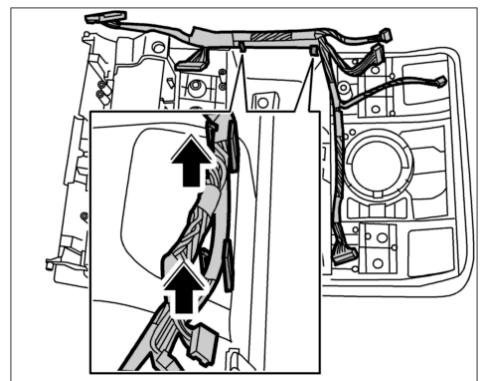
18. Unscrew the three fastening screws **-7-**.



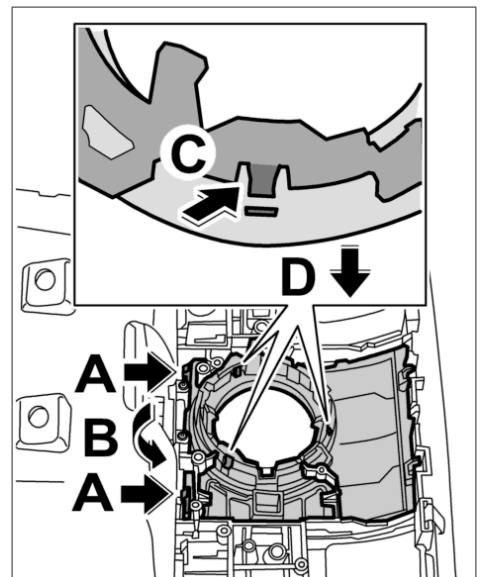
19. Remove the printed circuit board (sun blind) **-arrow A-** and pull off the connector **-arrow B-**.



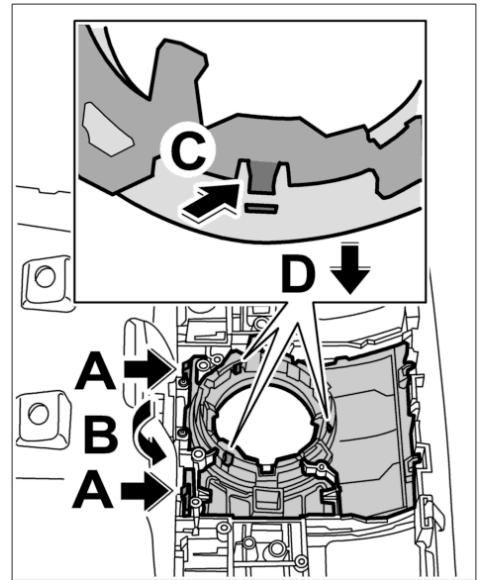
20. Remove the wiring harness from the brackets **-arrows-** .



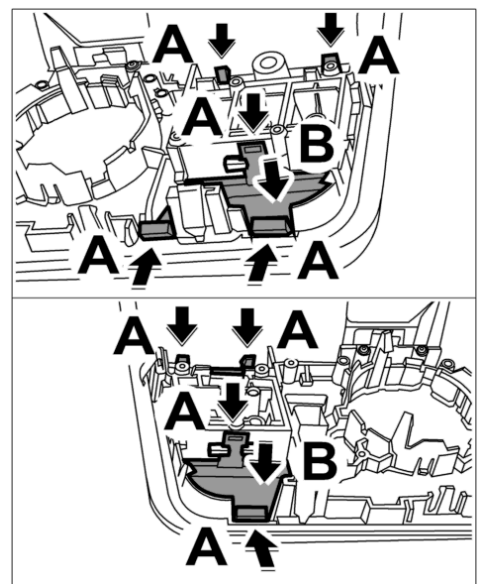
21. Release the cover **-arrows A-** and unfold it downwards **-arrow B-** .



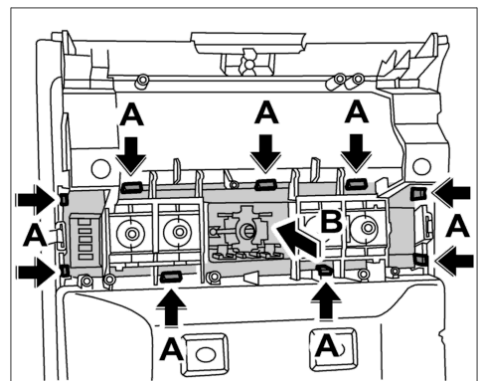
22. Release the lighting unit **-arrow C-** and press it down and out **-arrow D-** .



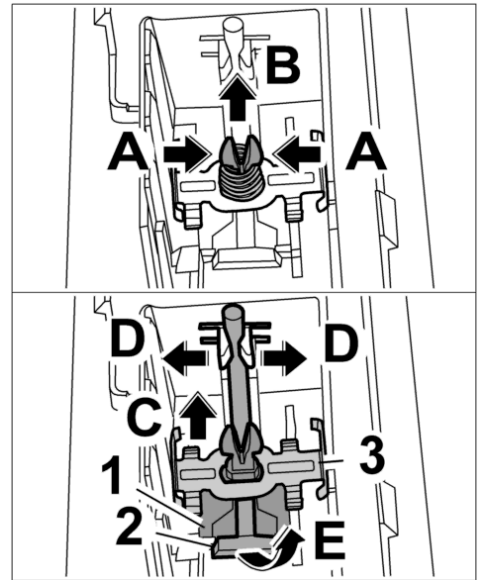
23. Release the nine locking tabs **-arrows A-** and press the two covers down and out **-arrows B-** .



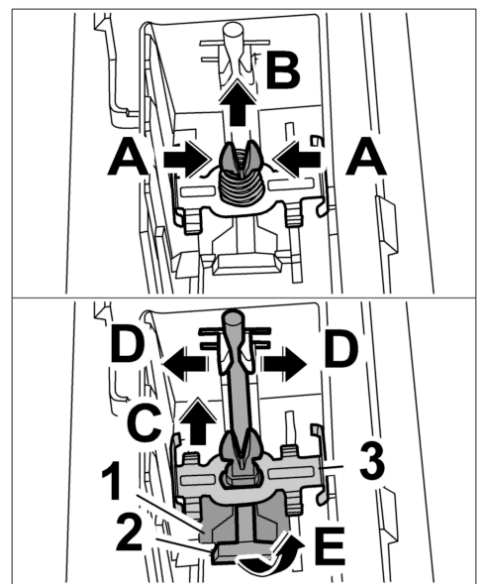
24. Release the nine locking tabs **-arrows A-** and carefully press the cover down and out **-arrow B-** .



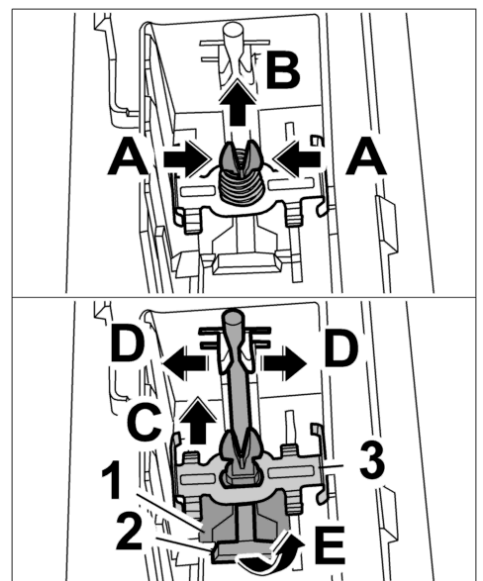
25. Press the clip together **-arrows A-** and carefully remove the spring **-arrow B-** .



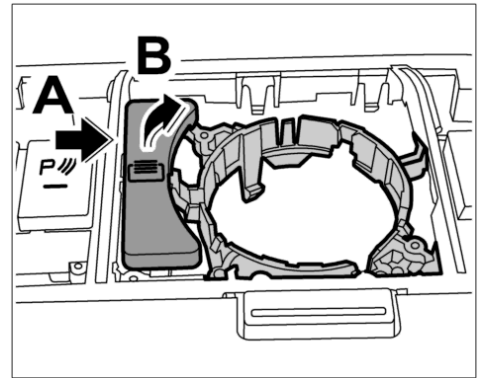
26. Remove the contact bridge **-1-** (**-arrow C-**).



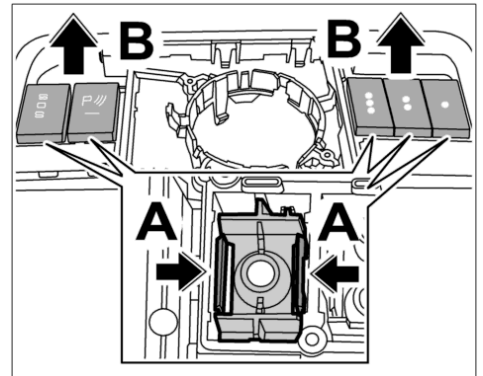
27. Carefully pull the holder out of the locking mechanism **-2-** (**-arrows D-**) and pull the switch **-3-** down and out **-arrow E-** .



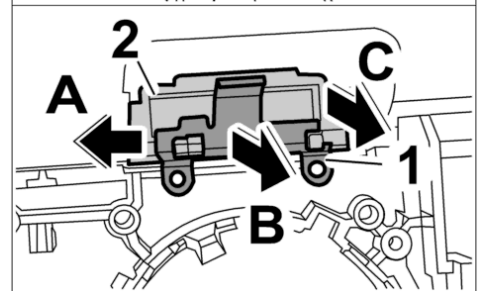
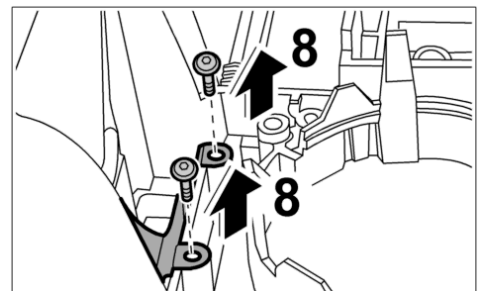
28. Carefully press switch trim for sun blind to the inside **-arrow A-** and remove it **-arrow B-** .



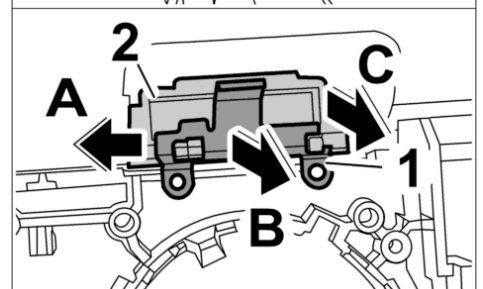
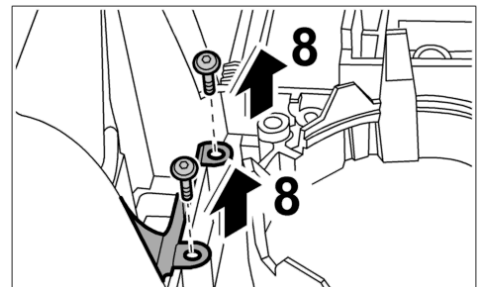
29. Release the switch trims **-arrows A-** and remove them **-arrows B-** .



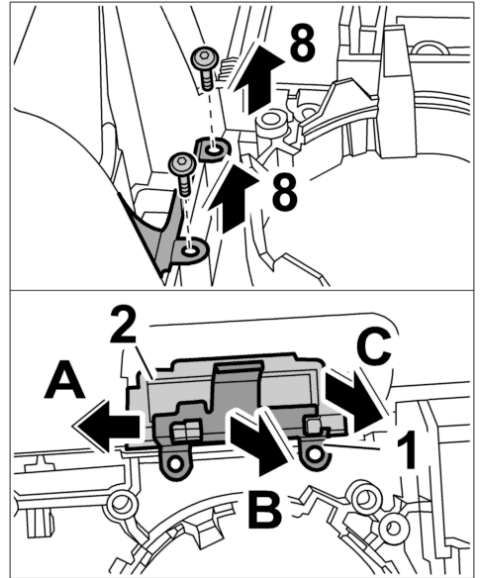
30. Unscrew both fastening screws **-8-** .



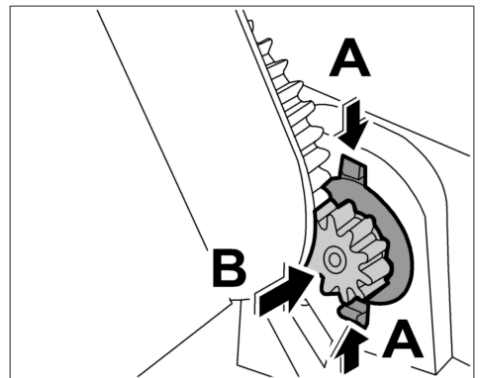
31. Move spring **-1-** for the push-button **-2-** to the left **-arrow A-** and remove it **-arrow B-** .



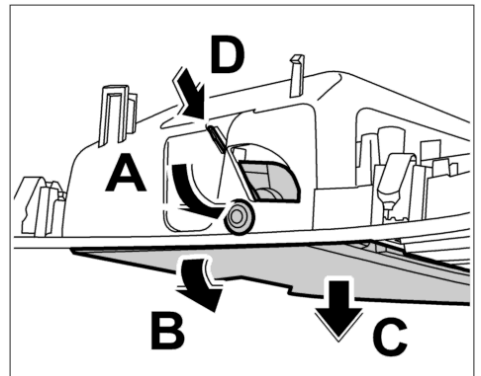
32. Remove push-button **-arrow C-** .



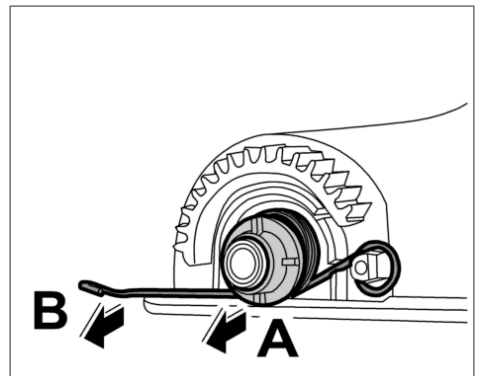
33. Release closing damper **-arrows A-** and remove it **-arrow B-** .



34. Press the right bearing pin at the edge inwards **-arrow A-** **-arrow A-** , pivot the shelf down **-arrow B-** and remove it **-arrow C-** . Push the spring through the opening at the same time **-arrow D-** .

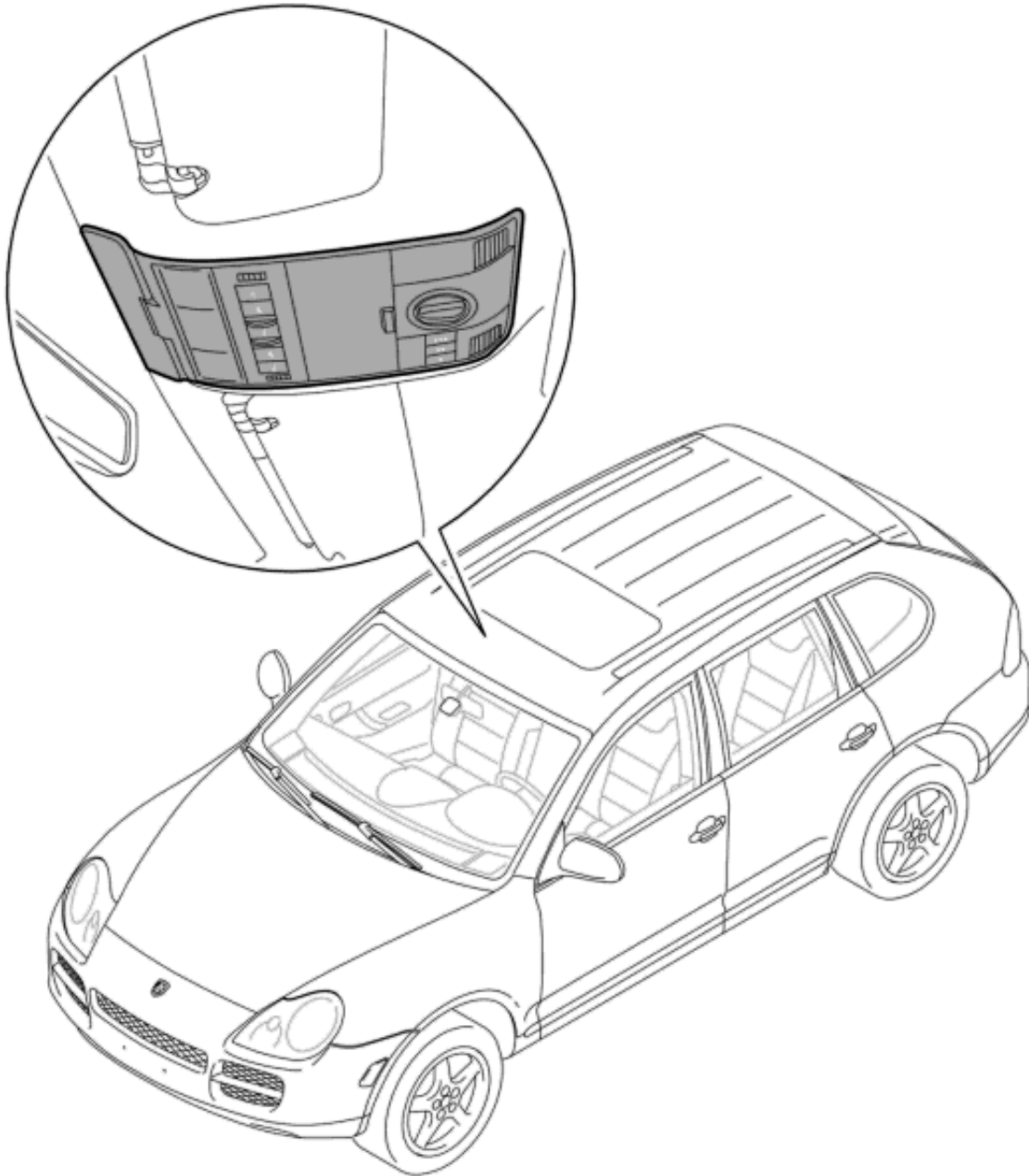


35. Pull off the bearing sleeve **-arrow A-** and remove the spring **-arrow B-** .



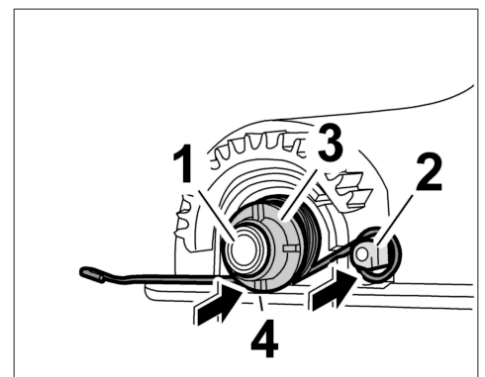
Assembling front roof console

Assembling front roof console

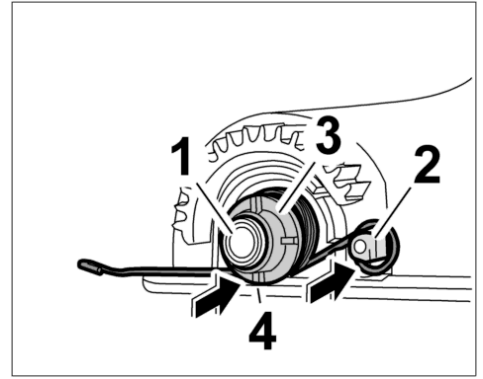
Installation Location:**Note**

- *The springs for the shelf are assigned to the right and left side. Given this, please make sure to observe the installation position of the springs.*

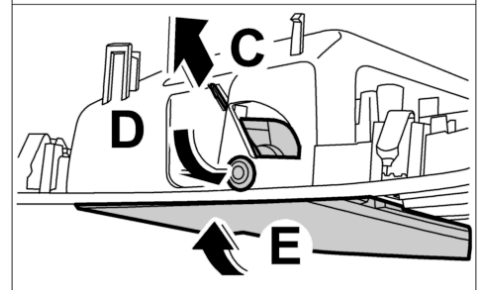
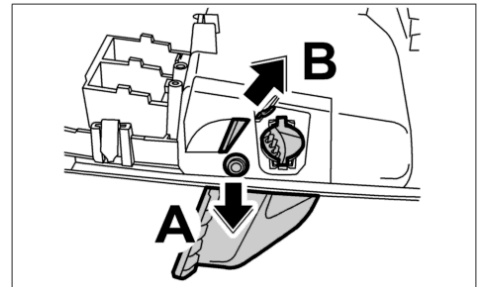
1. Place the springs on the pivot axis **-1-** and the retaining pivot **-2-** (**-arrows-**).



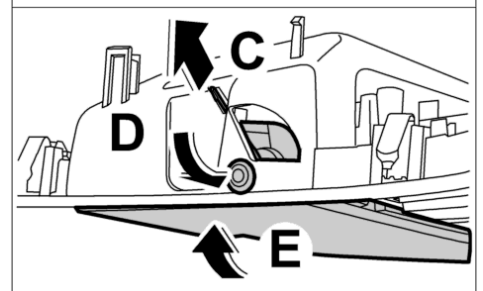
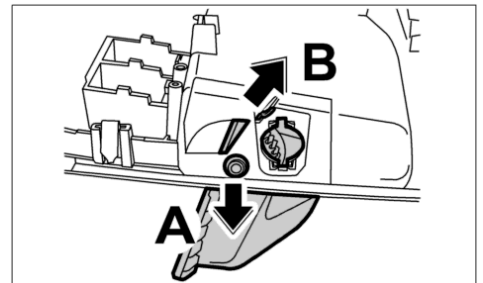
2. Connect the bearing sleeve with the contact surface **-3-** pointing towards the spring at the pivot axis. Make sure that the flat edge **-4-** of the contact surface is facing downwards.



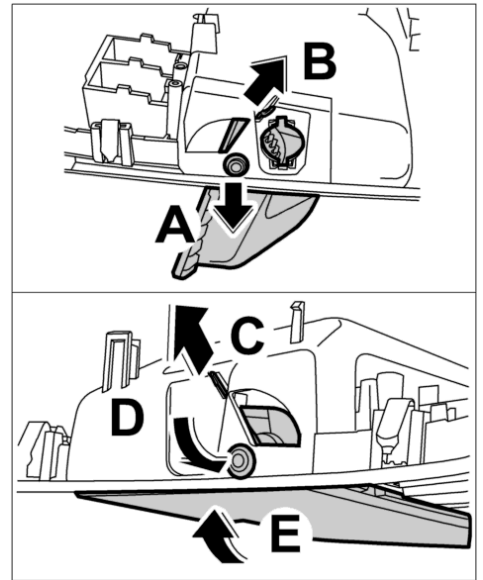
3. Insert the fully opened shelf at the left side **-arrow A-**. Push the spring through the opening **-arrow B-**.



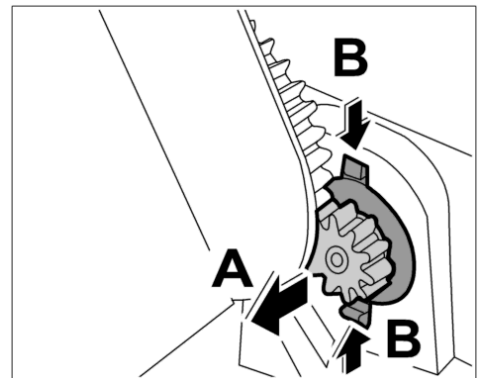
4. Insert the spring at the right side through the opening **-arrow C-**.



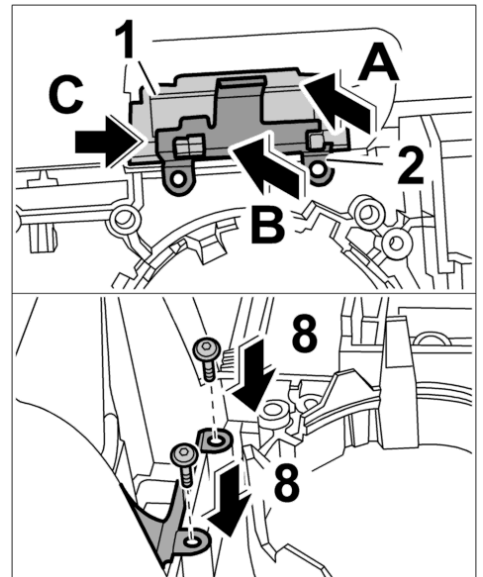
5. Press in the bearing pin at the underside **-arrow D-**, then press the shelf into the roof console **-arrow E-** until the bearing pin with the bearing sleeve engages securely.



6. Press in the closing damper **-arrow A-** until you feel the locking tabs **-B-** engage.



7. Place the push-button **-1-** in installation position **-arrow A-**.

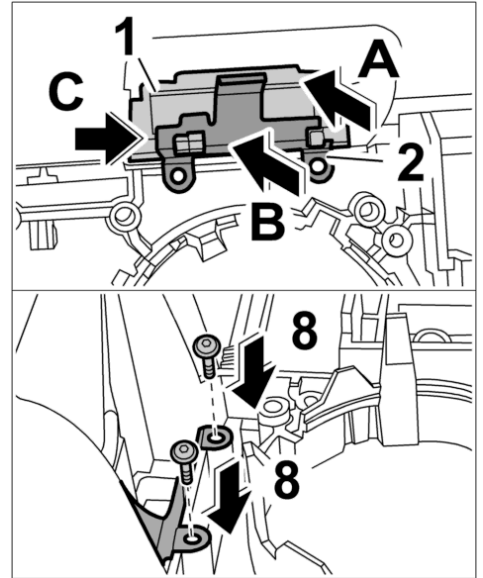


8. Insert the spring **-2-** (**-arrow B-**), move it to the right **-arrow C-**, and screw down using the two fastening screws **-8-**.

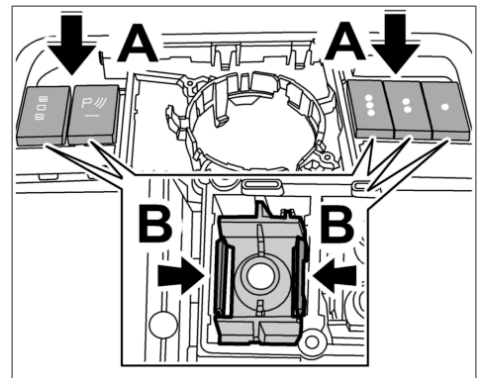


Note

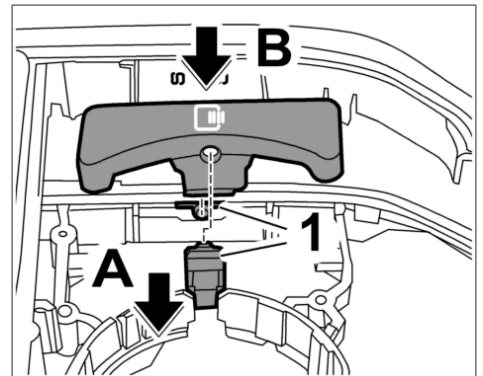
- The switch trims can be installed in only one position.



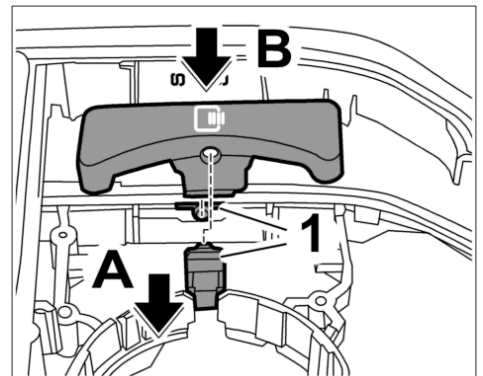
9. Press in the switch trims **-arrow A-** until you feel the locking tabs **-B-** engage.



10. Press the bracket carefully to the inside **-arrow A-**.



11. Place the switch trim in installation position and press it in **-arrow B-** until it engages securely in the retaining pivot **-1-**.



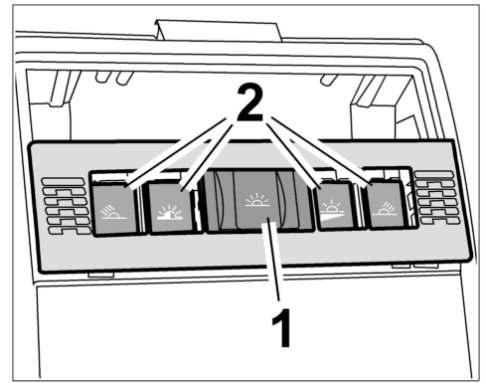
i Note

- Position the cover in such a way that the sliding switch contacts are pointing towards the shelf.

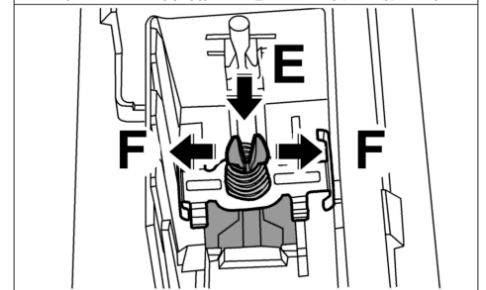
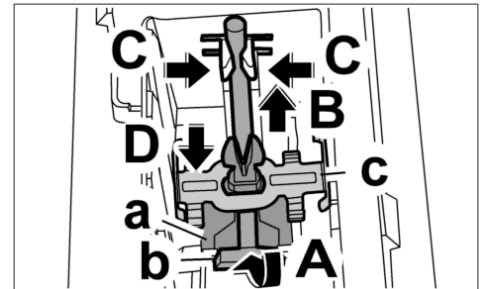
12. Position the cover in installation position, but do not press down firmly.

13. Position the sliding switch **-1-** in the cover in such a way that the pictogram is aligned with that on the adjacent switch trims **-2-**.

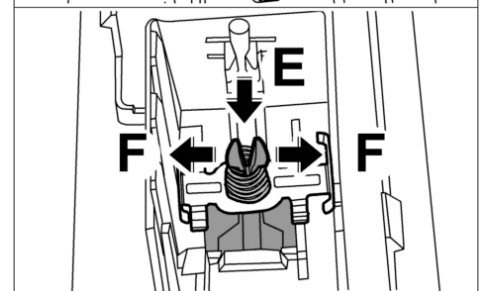
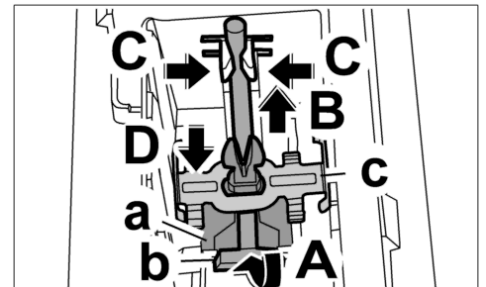
14. Turn the cover with the sliding switch around.



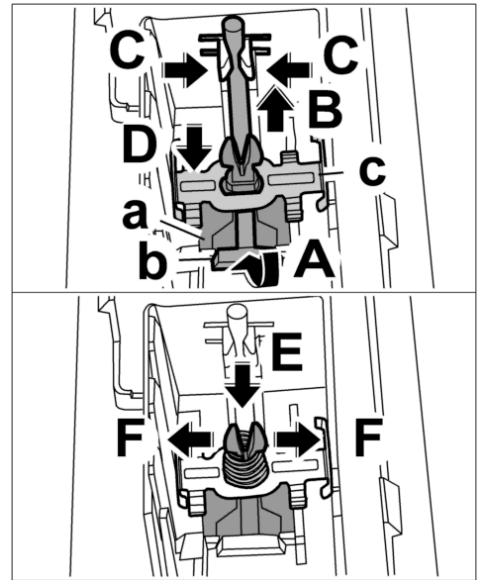
15. Insert the holder **-1-** through the sliding switch **-2-** (**-arrow A-**) and press it carefully into the bracket **-arrow B-** until the locking tabs are felt to engage **-C-** .



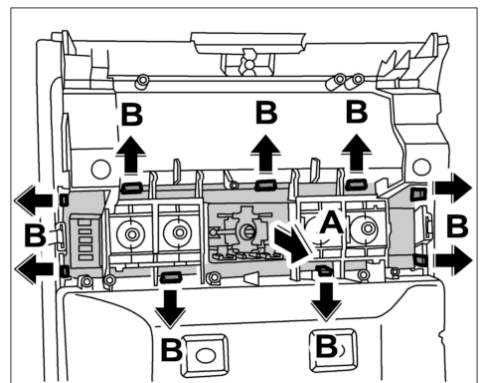
16. Connect the contact bridge **-c-** to the switch **-arrow D-** .



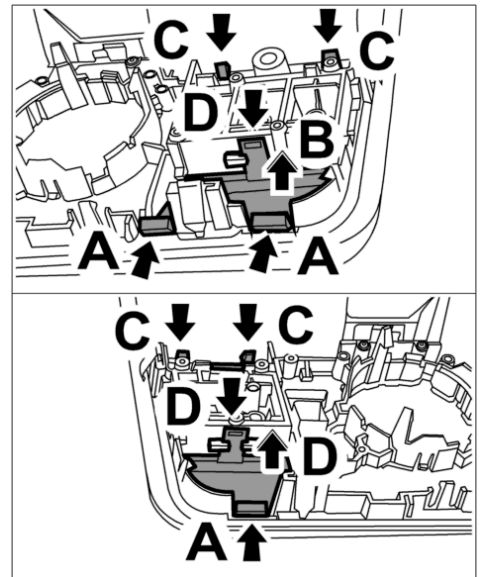
17. Connect the spring to the sliding switch **-a-** (**-arrow E-**) until the locking tabs are felt to engage **-arrows F-**



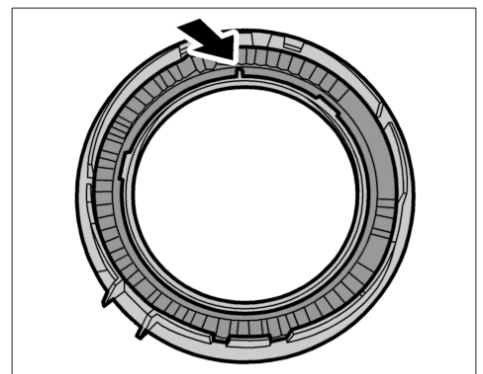
18. Place the switch trim in installation position and press it in **-arrow A-** until the nine locking tabs engage securely **-arrows B-**.



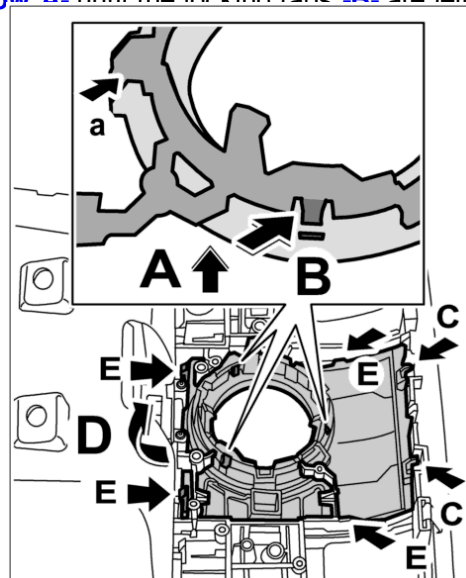
19. Engage the two covers at the back **-A-** and press in at the front edge **-arrow B-** until the locking tabs (three on each cover) are felt to engage **-C-**. Make sure that the covers are positioned correctly at the frame of the switch trims **-D-**.



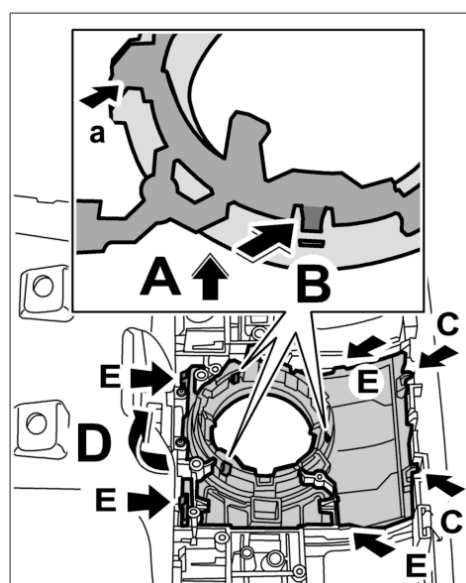
20. Insert the light ring into the cover and align the two markings **-arrow-**



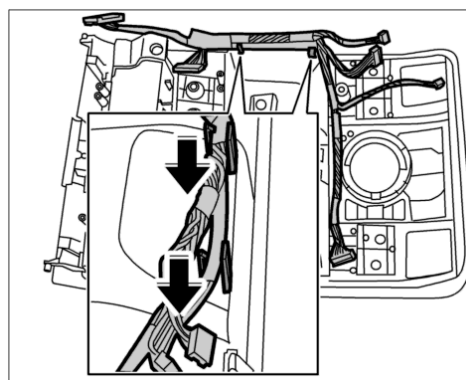
21. Align the lighting unit with the sun blind switch **-1-** and press it in **-arrow A-** until the locking tabs **-R-** are felt to engage.



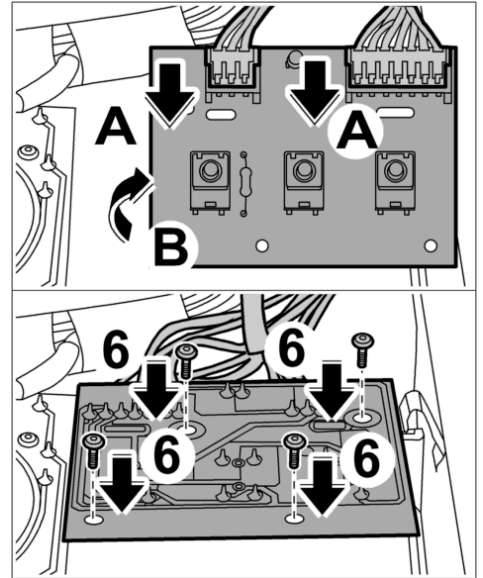
22. Engage the cover at the roof console **-C-** and press it in **-arrow D-** until the four locking tabs **-E-** are felt to engage.



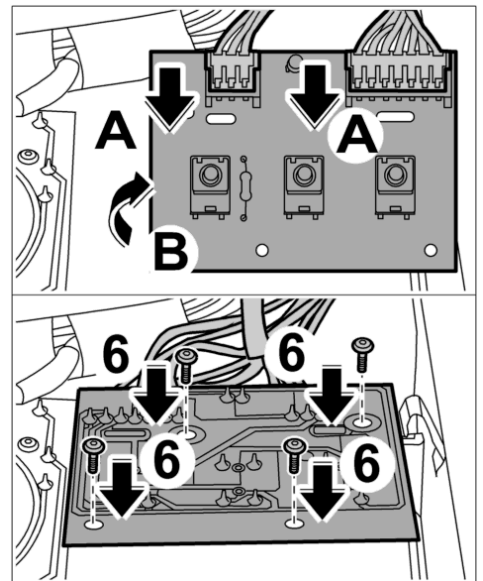
23. Insert the wiring harness into the brackets **-arrow-**.



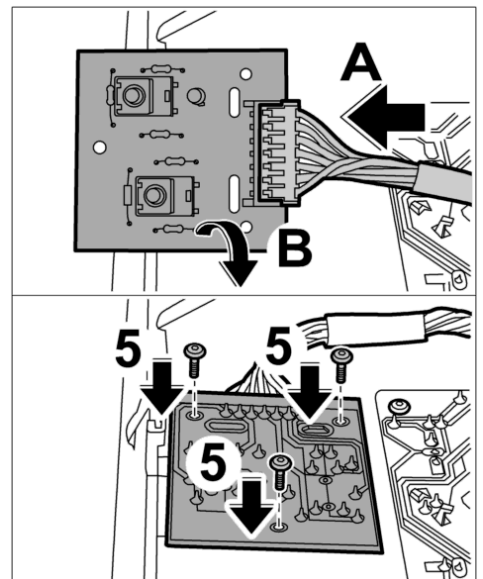
24. Connect the two connectors on the printed circuit board until they are felt to engage **-arrows A-**.



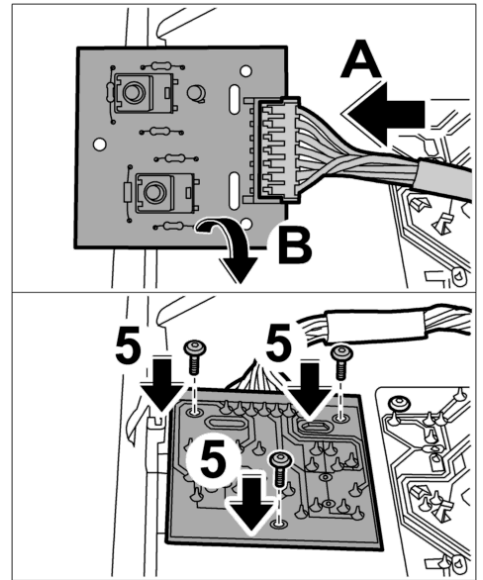
25. Turn the printed circuit board around **-arrow B-** and screw down with four fastening screws **-6-** .



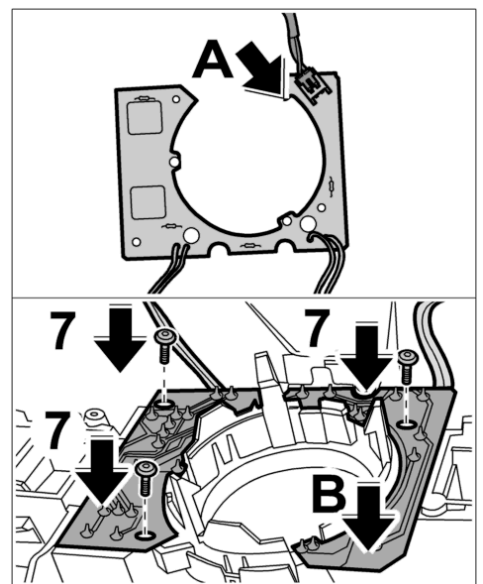
26. Connect the connector to the printed circuit board **-arrow A-** until it engages securely.



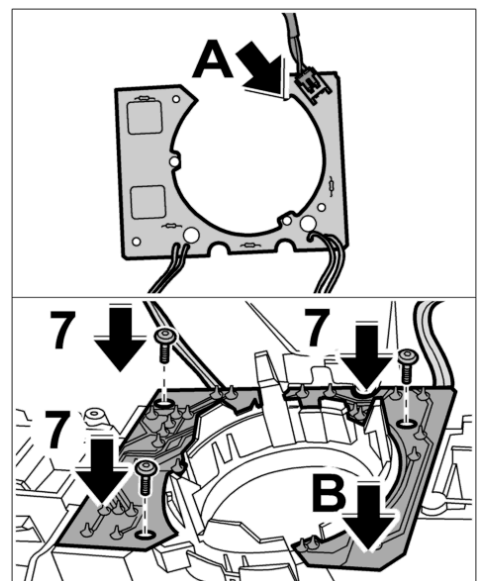
27. Turn the printed circuit board around **-arrow B-** and screw down with three fastening screws **-5-** .



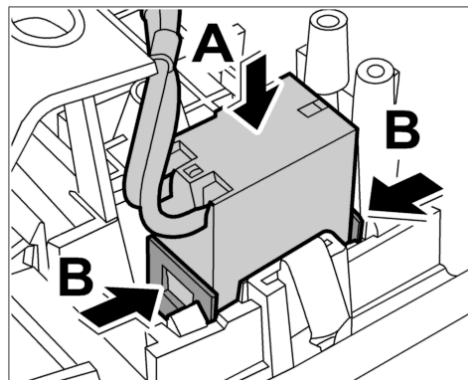
28. Connect the connector to the printed circuit board until they engage securely **-arrow A-** .



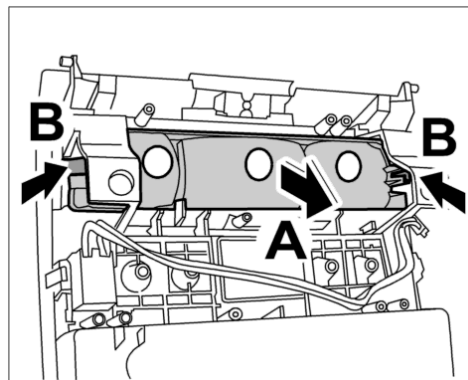
29. Place the printed circuit board in installation position **-arrow B-** and screw down with three fastening screws **-7-** .



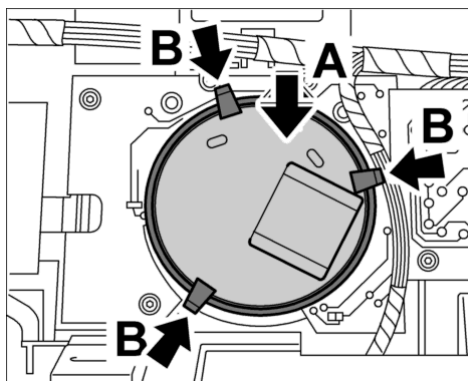
30. Insert the microphone **-arrow A-** until the two locking tabs **-B-** are felt to engage.



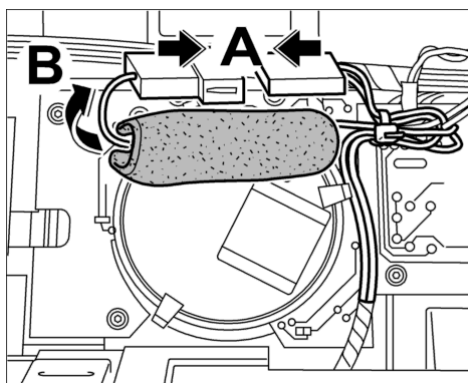
31. Place the reading light in installation position and press it in **-arrow A-** until the two clips **-B-** engage securely.



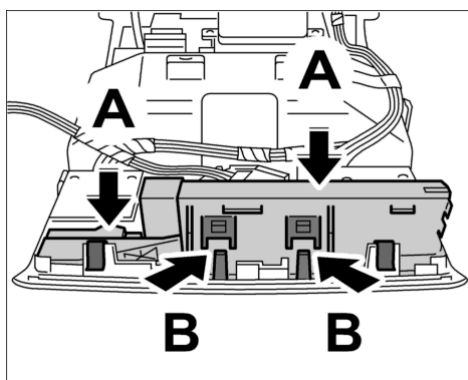
32. Place the switch in installation position and press it in carefully **-arrow A-**. Make sure that all three locking hooks **-B-** engage at the switch.



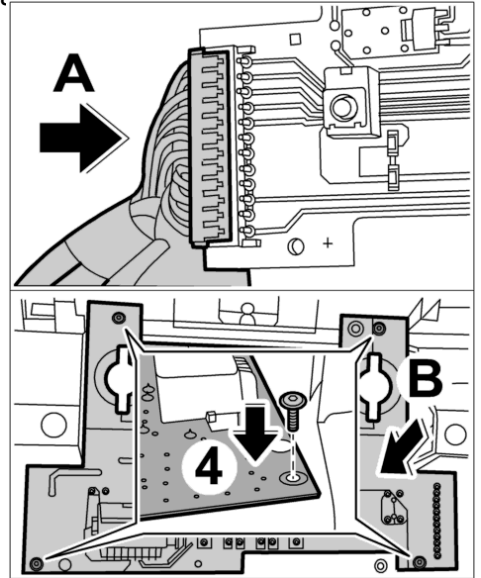
33. Connect the plug connection **-arrows A-** and slide the piece of plastic foam over the plug connection **-arrow B-**.



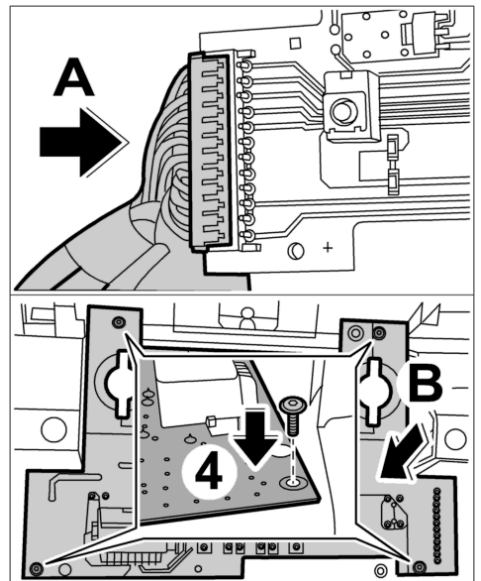
34. Insert the sensor into the roof console frame **-A-** until the two locking hooks **-B-** are felt to engage. Ensure it is seated properly.



35. Attach the connector to the printed circuit board **-arrow A-** until it engages securely

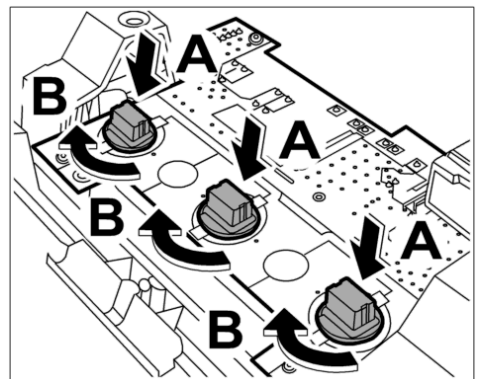


36. Place the printed circuit board in installation position **-arrow B-** and screw down with four fastening screws **-4-**.

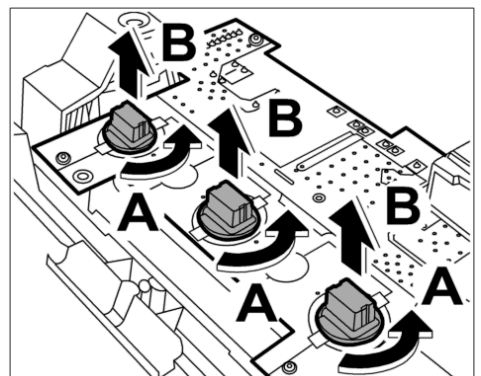


Note

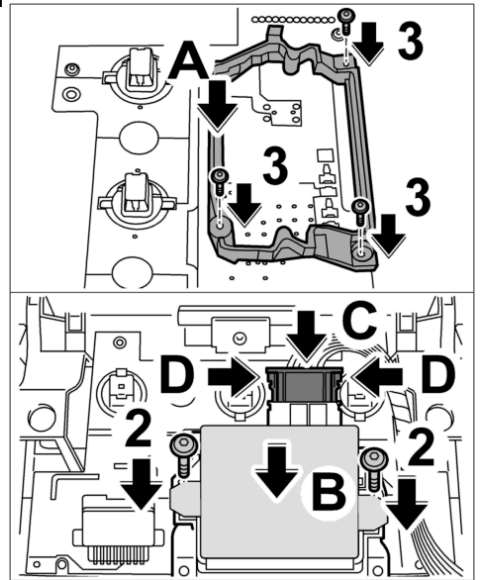
- Only if replacing the printed circuit board



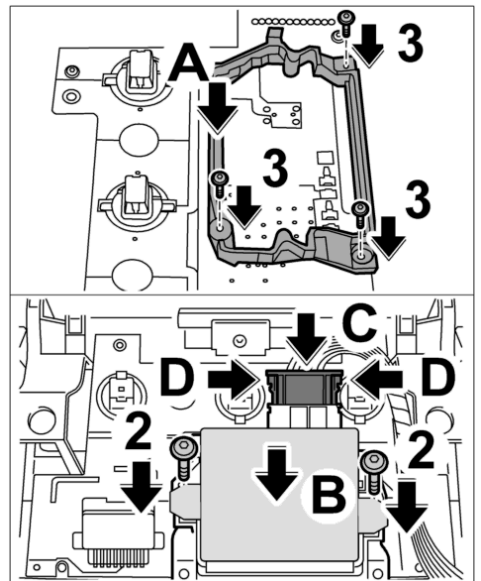
37. Insert bulbs into the printed circuit board **-arrow A-** and tighten **-arrow B-**.



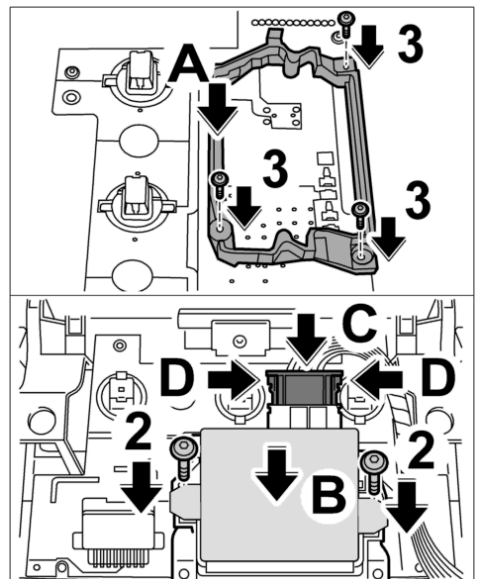
38. Place the holder in installation position **-arrows A-** and screw down with three fastening screws **-2-**.



39. Place the control unit on the holder **-arrow B-** and screw down with both fastening screws **-2-**.

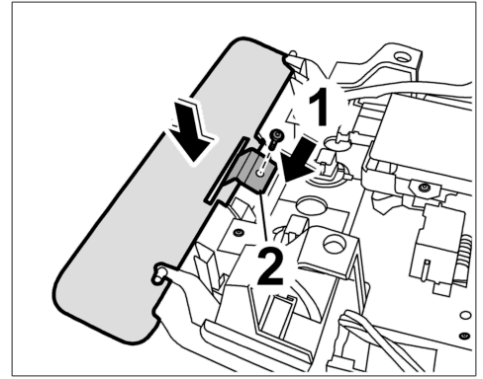


40. Push in connector **-arrow C-** until the locking tabs **-D-** are felt to engage.



41. Insert the sun visor and holder **-2-** (**-arrow-**) and secure with the fastening screw **-1-**.

42. Install front roof console. → 601219 Removing and installing switch for sunroof - section on "Installing"



9PAAD1, 9PAAD7, 9PAAE1, 9PAAE7, 9PAAF1, 9PAAJ1

as of MY 2003

Country C00, C02, C05, C07, C08, C09, C10, C11, C12, C13, C14, C15, C16, C18, C19, C20, C21, C22, C23, C24, C25, C26, C27, C28, C32, C33, C34, C35, C36, C37, C38, C39, C45, C46, C98, C99