

**WARNUNG**

Gefahr des Verlusts der Text-Bild-Zuordnung beim Ausdruck.

- **Aus technischen Gründen kann derzeit nicht ausgeschlossen werden, dass trotz einwandfreier Darstellung auf dem Bildschirm beim Ausdruck der Zusammenhang von Text und zugehörigem Bild verloren geht.**
- **Wird der Fehler nicht bemerkt, besteht die Gefahr, daß Arbeiten nicht korrekt durchgeführt werden und es dadurch zu Personen- und Sachschäden kommt.**

→ Vergleichen Sie deshalb nach dem Druckvorgang unbedingt die Ausdrücke mit der Bildschirmdarstellung. Korrigieren Sie die Ausdrücke im Fehlerfall so, daß der Inhalt der Bildschirmdarstellung zutreffend wiedergegeben wird.

**WARNING**

Danger of losing text-figure correspondence when printing out.

- **For technical reasons, it can currently not be ruled out that the correspondence between text and associated figure can be lost when it is printed out, even though the display on the screen is correct.**
- **If the fault is not noticed, there is the danger that work will not be performed correctly which can cause injury and damage.**

→ Therefore, always compare printouts with the screen display after printing them out. Correct the printouts if they are faulty so that the content of the screen display matches that on the printouts.

**AVERTISSEMENT**

Risque de perte de la correspondance texte-illustration lors de l'impression papier.

- **Pour des raisons techniques, il ne peut pas être exclu à l'heure actuelle que, même en cas d'affichage correct à l'écran, la correspondance entre le texte et l'illustration puisse être erronée sur l'impression papier.**
- **Si l'erreur passe inaperçue, on court le risque d'exécuter certaines opérations de manière incorrecte pouvant conduire à des dommages corporels et matériels.**

→ Comparez impérativement pour cette raison les impressions papier avec l'affichage à l'écran. Corrigez-les en cas d'erreur de manière à reproduire correctement l'affichage à l'écran.

**ATTENZIONE**

Pericolo di perdita dell'abbinamento testo-immagine nella stampa.

- **Per motivi tecnici non è escluso che, nonostante la rappresentazione sullo schermo risulti perfetta, durante la stampa venga persa la corrispondenza fra testo e relativa immagine.**
- **Se tale difetto non viene rilevato vi è il pericolo che i lavori non siano eseguiti correttamente; ciò può avere come conseguenza lesioni e danneggiamenti.**

→ Per questo motivo, dopo la stampa è assolutamente necessario confrontare le stampe con la rappresentazione sullo schermo. In caso di errore si prega di correggere le stampe, così da garantire la riproduzione esatta della rappresentazione sullo schermo.

**ADVERTENCIA**

Al imprimir se corre el riesgo de perder la correcta asignación de las figuras al texto.

- **Por motivos técnicos, por el momento no se puede descartar que, aun siendo correcta la imagen que aparezca en la pantalla, al imprimir se pierda la correlación entre el texto y la figura correspondiente.**
- **Si este error pasara desapercibido, existe el riesgo de que los trabajos no se ejecuten de forma correcta y, por tanto, se produzcan daños personales y materiales.**

→ Por ello le rogamos que tras el proceso de impresión compare siempre las copias impresas con la imagen de la pantalla. En caso de error, corrija las copias impresas de forma que se correspondan con el contenido de la imagen de la pantalla.

70 84 19 Removing and installing roof lining - as of MY 2003

- [Removing roof lining](#)

- [Installing roof lining](#)

- [Subsequent work](#)

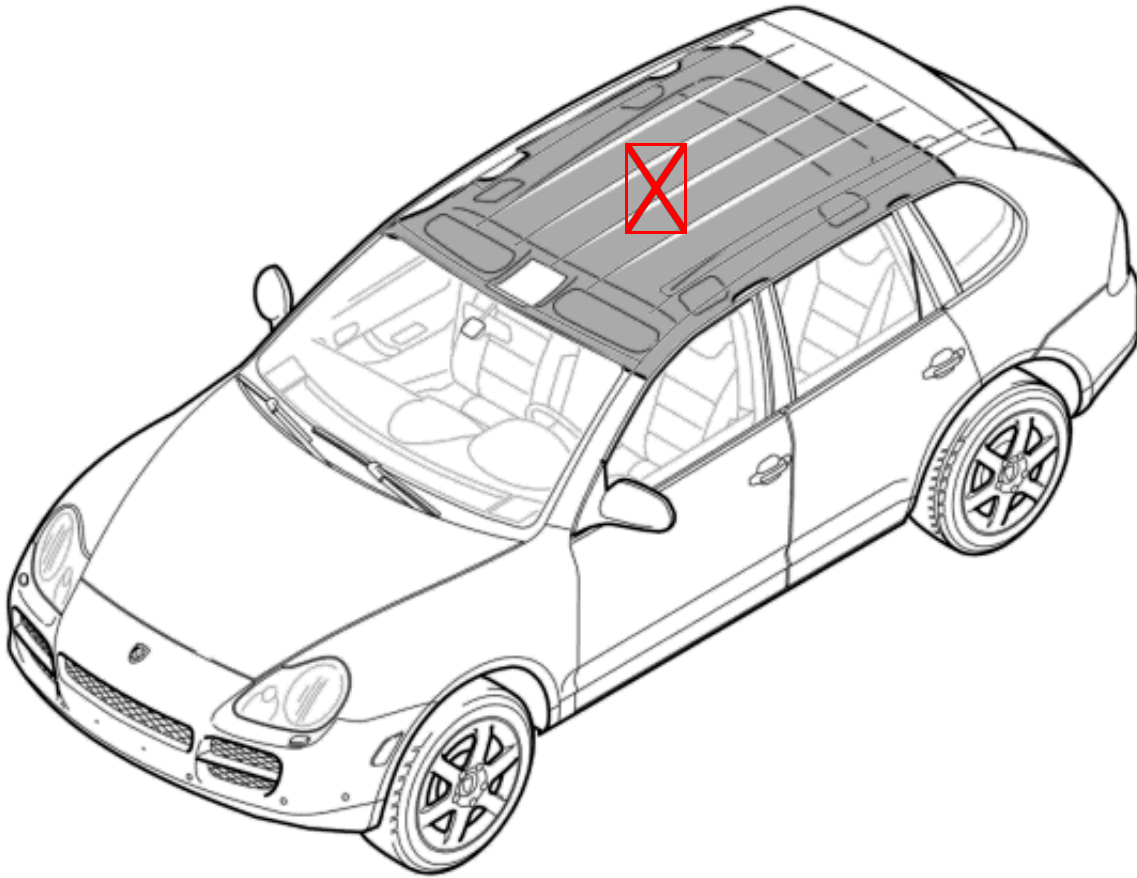
Preliminary work

1. Remove A-pillar trim. → 705719 Removing and installing A-pillar trim - "Removing" section
2. Remove the B-pillar trim. → 706719 Removing and installing B-pillar trim - "Removing" section
3. Remove C-pillar trim. → 706819 Removing and installing C-pillar trim - chapter on "removing"
4. Remove rear roof trim panel. → 708519 Removing and installing rear roof trim panel - "Removing" section
5. Remove D-pillar trim panel. → 706919 Removing and installing D-pillar trim panel - "Removing" section
6. Remove sun visors. → 682319 Removing and installing sun visor - "Removing" section
7. Roof console → 601219 Removing and installing switch for sunroof - "Installing" section
8. Remove front grab handles. → 683519 Removing and installing grab handle - chapter on "Removing"
9. Remove sides of reading lights. → 964719 Removing and installing bulb for reading light - "Removing" section
10. Remove rear handles. → 683719 Removing and installing rear handle - "Removing" section

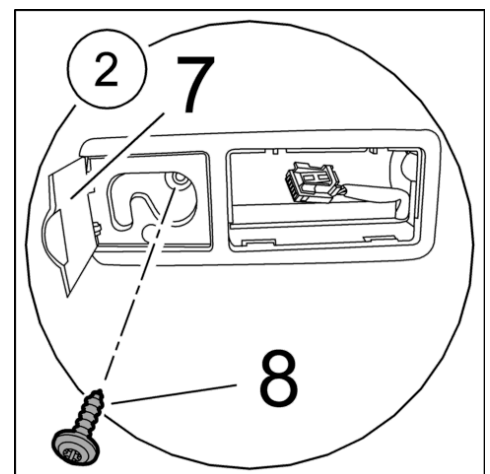
Removing roof lining

Removing headliner

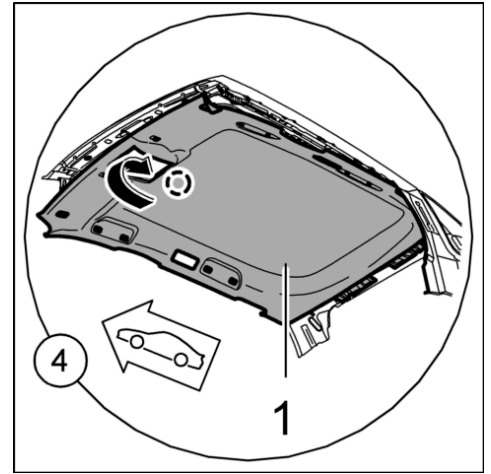
Installation Location:



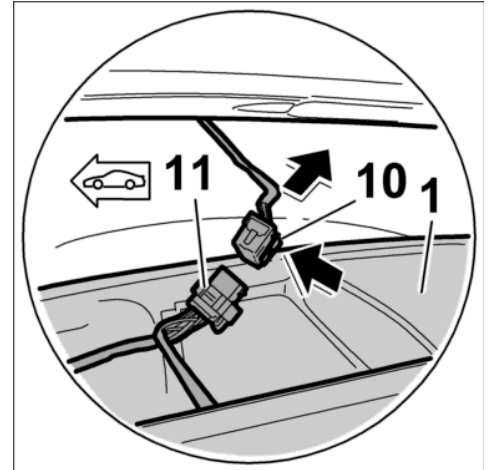
1. Open cover **-7-** and unscrew fastening screw **-8-** .



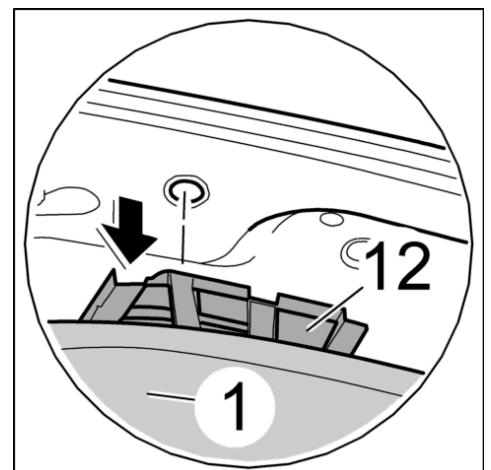
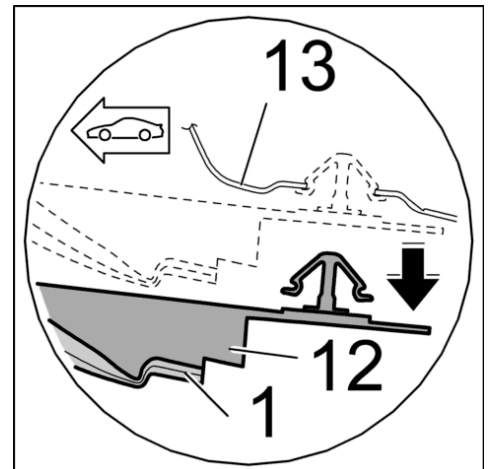
2. Fold down headliner **-1-** at front edge.

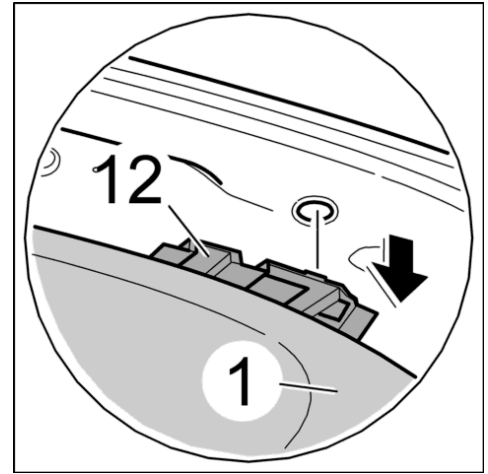


3. Disconnect plug connection for roof wire harness -10, 11- .
4. Remove headliner



- 4.1. Unclip fastening part of headliner -12- from the bodyshell -13- at the back.



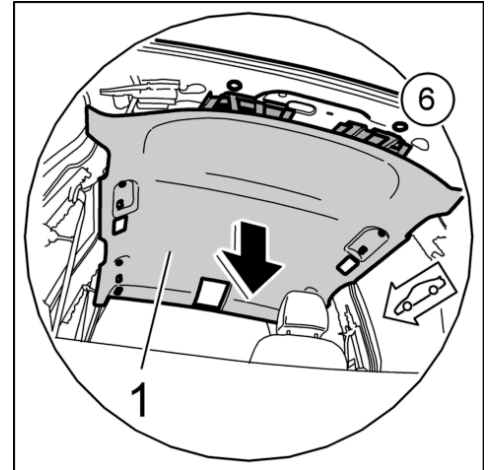


4.2. Remove headliner -1- and guide out of vehicle through tailgate opening.



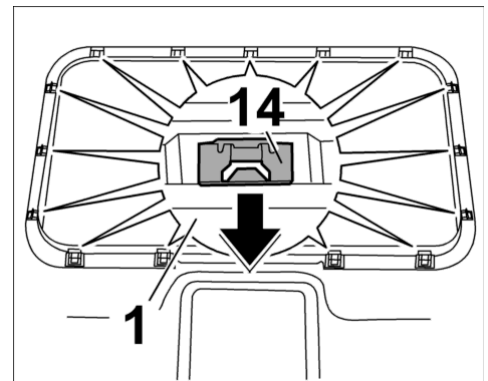
Note

- Additional assembly operations must be performed on vehicles with sunroof or roof assembly. → 708419 Removing and installing roof trim panel - "Removing" section



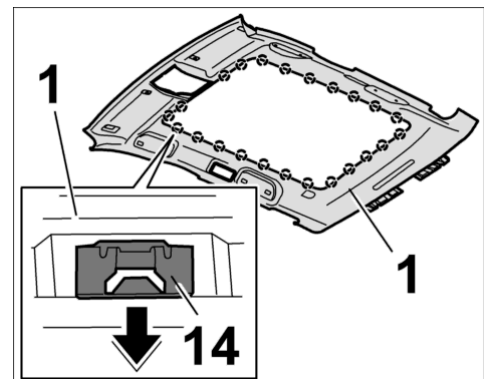
Removing headliner - vehicles with sunroof

1. Unclip headliner -1- from fastening clips -14- close to sunroof cut-out.

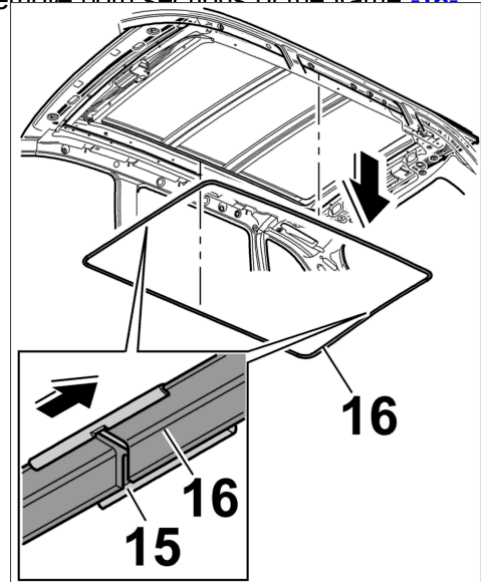


Removing headliner - vehicles with roof assembly

1. Unclip headliner -1- at perimeter of roof assembly cut-out -circle marks- from fastening clips -14- .



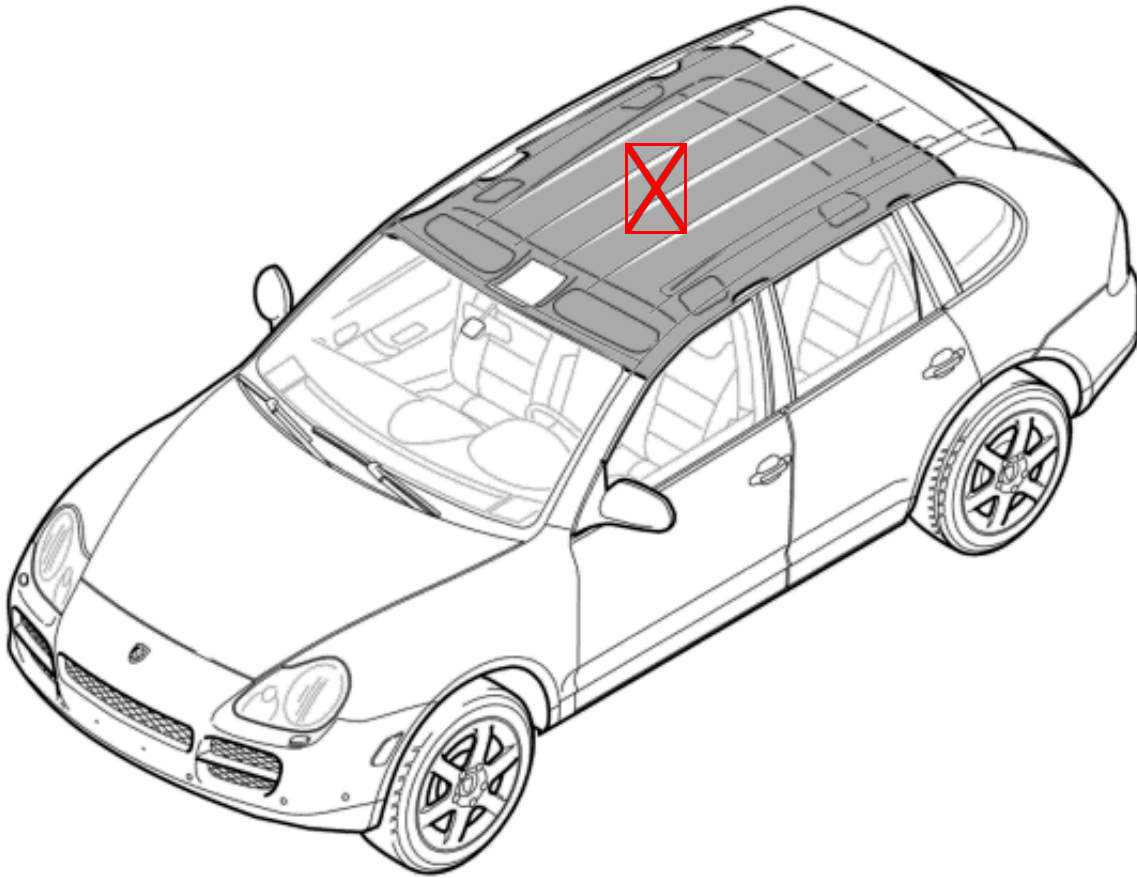
2. Push clamps **-15-** at the front and rear on frame **-16-** to the side and remove both sections of the frame **-16-**.



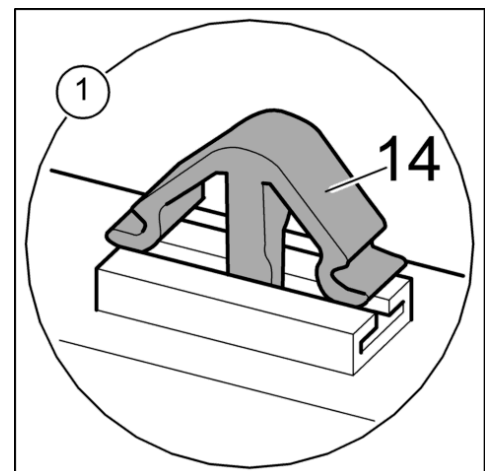
Installing roof lining

Installing headliner

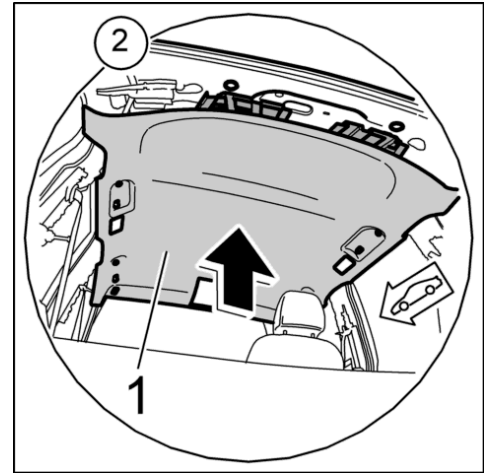
Installation Location:



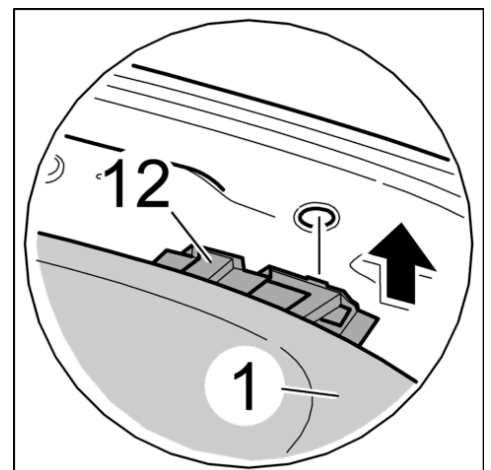
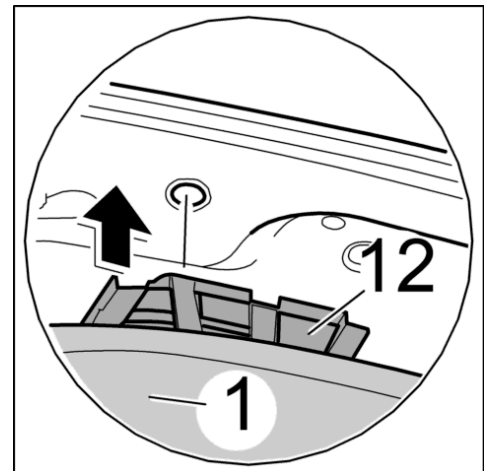
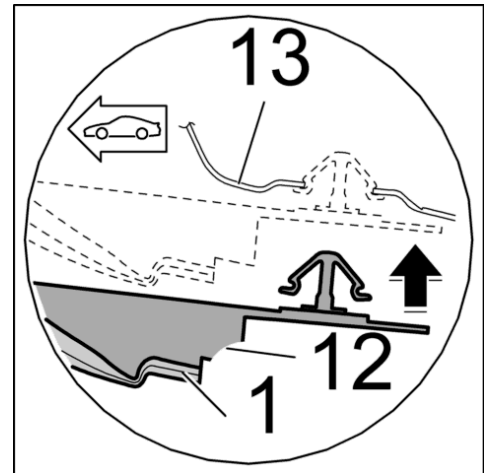
1. Check fastening clips **-14-** of headliner for deformation, and replace if necessary.



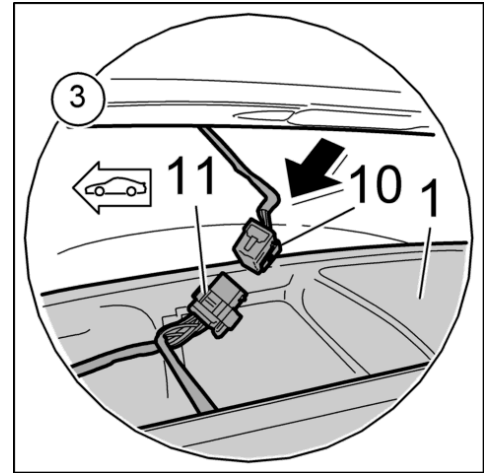
2. Guide headliner **-1-** into the vehicle through tailgate opening and position at roof frame.



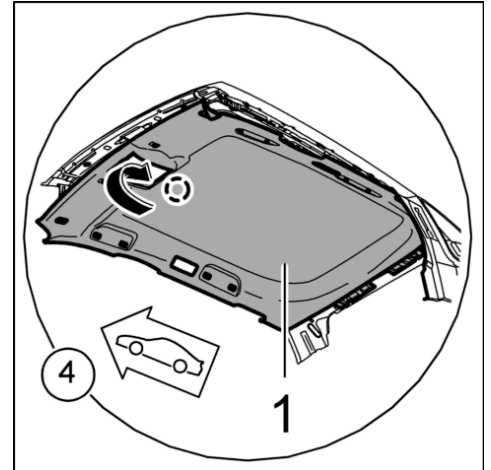
3. Clip fastening part for roof liner **-12-** into the bodyshell **-13-** at the back.



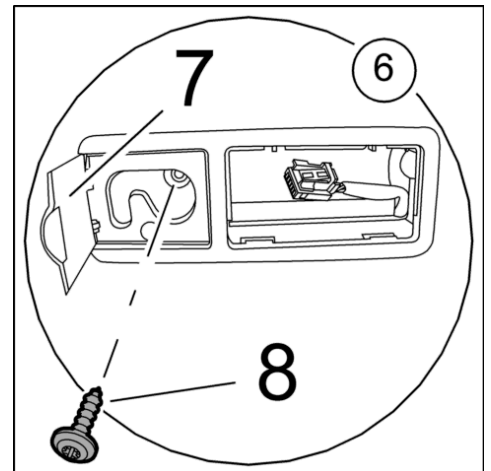
4. Connect plug connection for roof wire harness **-10, 11-**.



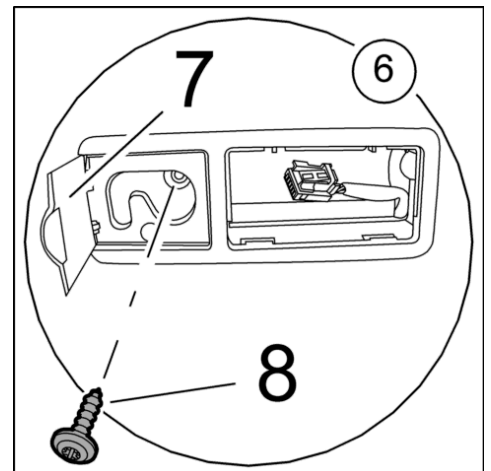
5. Fold up headliner **-1-** at front edge.



6. Screw in new fastening screw **-8-** and tighten to the specified tightening torque. → **Tightening torque: 9 (6.5 ftlb.) Nm**



7. Close cover **-7-**.

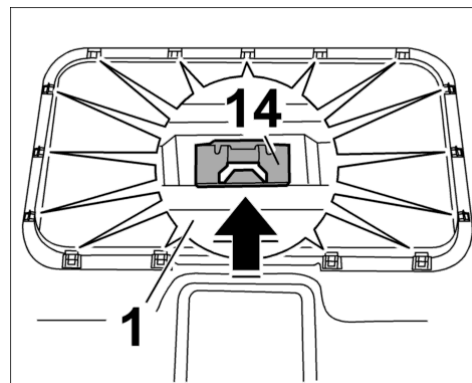


Note

- Additional assembly operations must be performed on vehicles with sunroof or roof assembly. → 708419 Removing and installing roof trim panel - "Removing" section

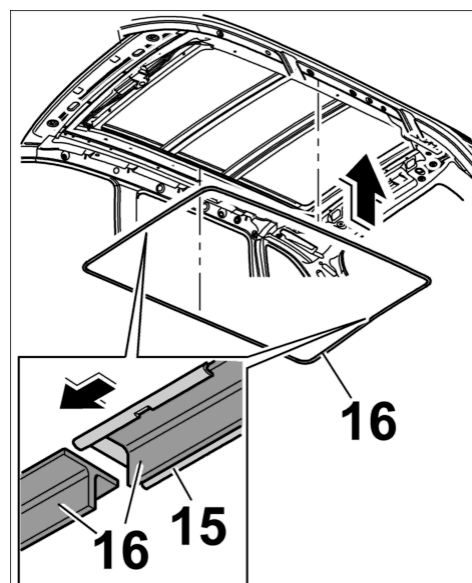
Installing headliner - vehicles with sunroof

1. Check fastening clips **-14-** of headliner for deformation, replace if necessary.
2. Clip in headliner **-1-** using fastening clips **-14-** close to sunroof cut-out.



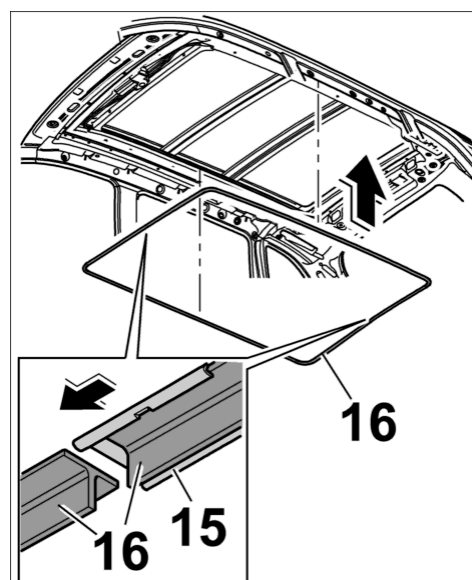
Installing headliner - vehicles with roof assembly

1. Insert both sections of the frame **-16-** in the roof assembly cutout and connect by moving the clamps **-15-**.

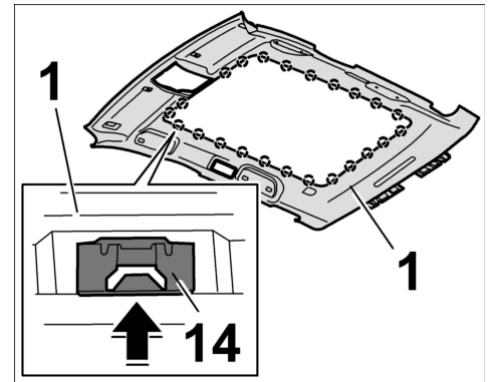


Note

- Centre the clamps **-15-** in the middle on the gap between both frames **-16-**.



2. Check fastening clips **-14-** of headliner for deformation, replace if necessary.
3. Clip in headliner **-1-** at roof assembly cut-out **-circle marks-** using fastening clips **-14-**.



Subsequent work

Subsequent work

1. Install rear handles. → 683719 Removing and installing rear handle - "Installing" section
2. Install front grab handles. → 683519 Removing and installing grab handle - chapter on "Installing"
3. Install sides of reading lights. → 964719 Removing and installing bulb for reading light - "Installing" section
4. Install sides of sun visors. → 682319 Removing and installing sun visor - "Installing" section
5. Install roof console. → 601219 Removing and installing switch for sunroof - "Installing" section
6. Install A-pillar trim. → 705719 Removing and installing A-pillar trim - "Installing" section
7. Install B-pillar trim. → 706719 Removing and installing B-pillar trim - "Installing" section
8. Install C-pillar trim. → 706819 Removing and installing C-pillar trim - chapter on "installing"
9. Install D-pillar trim. → 706919 Removing and installing D-pillar trim panel - "Installing" section
10. Install rear roof trim panel. → 708519 Removing and installing rear roof trim panel - "Installing" section

9PAAD1, 9PAAD7, 9PAAE1, 9PAAE7, 9PAAF1, 9PAAJ1

as of MY 2003

Country C00, C02, C05, C07, C08, C09, C10, C11, C12, C13, C14, C15, C16, C18, C19, C20, C21, C22, C23, C24, C25, C26, C27, C28, C32, C33, C34, C35, C36, C37, C38, C39, C45, C46, C98, C99