

**WARNUNG**

**Gefahr des Verlusts der Text-Bild-Zuordnung beim Ausdruck.**

- **Aus technischen Gründen kann derzeit nicht ausgeschlossen werden, dass trotz einwandfreier Darstellung auf dem Bildschirm beim Ausdruck der Zusammenhang von Text und zugehörigem Bild verloren geht.**
- **Wird der Fehler nicht bemerkt, besteht die Gefahr, daß Arbeiten nicht korrekt durchgeführt werden und es dadurch zu Personen- und Sachschäden kommt.**

→ Vergleichen Sie deshalb nach dem Druckvorgang unbedingt die Ausdrücke mit der Bildschirmdarstellung. Korrigieren Sie die Ausdrücke im Fehlerfall so, daß der Inhalt der Bildschirmdarstellung zutreffend wiedergegeben wird.

**WARNING**

**Danger of losing text-figure correspondence when printing out.**

- **For technical reasons, it can currently not be ruled out that the correspondence between text and associated figure can be lost when it is printed out, even though the display on the screen is correct.**
- **If the fault is not noticed, there is the danger that work will not be performed correctly which can cause injury and damage.**

→ Therefore, always compare printouts with the screen display after printing them out. Correct the printouts if they are faulty so that the content of the screen display matches that on the printouts.

**AVERTISSEMENT**

**Risque de perte de la correspondance texte-illustration lors de l'impression papier.**

- **Pour des raisons techniques, il ne peut pas être exclu à l'heure actuelle que, même en cas d'affichage correct à l'écran, la correspondance entre le texte et l'illustration puisse être erronée sur l'impression papier.**
- **Si l'erreur passe inaperçue, on court le risque d'exécuter certaines opérations de manière incorrecte pouvant conduire à des dommages corporels et matériels.**

→ Comparez impérativement pour cette raison les impressions papier avec l'affichage à l'écran. Corrigez-les en cas d'erreur de manière à reproduire correctement l'affichage à l'écran.

**ATTENZIONE**

**Pericolo di perdita dell'abbinamento testo-immagine nella stampa.**

- **Per motivi tecnici non è escluso che, nonostante la rappresentazione sullo schermo risulti perfetta, durante la stampa venga persa la corrispondenza fra testo e relativa immagine.**
- **Se tale difetto non viene rilevato vi è il pericolo che i lavori non siano eseguiti correttamente; ciò può avere come conseguenza lesioni e danneggiamenti.**

→ Per questo motivo, dopo la stampa è assolutamente necessario confrontare le stampe con la rappresentazione sullo schermo. In caso di errore si prega di correggere le stampe, così da garantire la riproduzione esatta della rappresentazione sullo schermo.

**ADVERTENCIA**

**Al imprimir se corre el riesgo de perder la correcta asignación de las figuras al texto.**


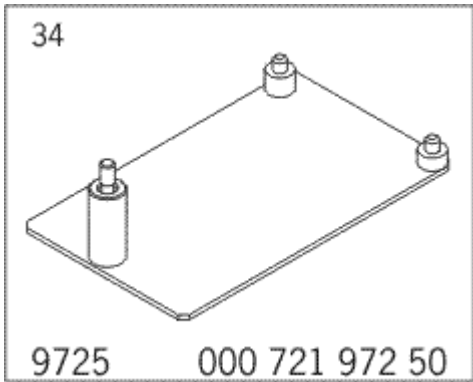
- **Por motivos técnicos, por el momento no se puede descartar que, aun siendo correcta la imagen que aparezca en la pantalla, al imprimir se pierda la correlación entre el texto y la figura correspondiente.**
- **Si este error pasara desapercibido, existe el riesgo de que los trabajos no se ejecuten de forma correcta y, por tanto, se produzcan daños personales y materiales.**

→ Por ello le rogamos que tras el proceso de impresión compare siempre las copias impresas con la imagen de la pantalla. En caso de error, corrija las copias impresas de forma que se correspondan con el contenido de la imagen de la pantalla.

## 34 35 19 Removing and installing transmission - as of MY 2003

- [Preliminary work for transmission](#)
- [Removing transmission](#)
- [Installing transmission](#)
- [Subsequent work for transmission](#)

### Tools

Designation	Type	Number	Explanation	
wooden block	commercially available tool			.gif 
plate	commercially available tool	9725		34 
removal tool, universal	commercially available tool	nr.21		



## Preliminary work for transmission

### Preliminary work for transmission

1. Disconnect battery . → Work instructions after disconnecting the battery
2. Remove centre console cover. → 681719 Removing and installing centre console - chapter on "Removing"
3. Remove shift lever knob. → 340419 Removing and installing shift lever knob - chapter on "removing"
4. Remove engine guard . → 108019 Removing and installing engine guard - chapter on "removing"
5. Remove rear cardan shaft. → 393519 Removing and reinstalling rear cardan shaft - chapter on "Removing"
6. Remove front cardan shaft. → 390219 Removing and installing front cardan shaft - chapter on "Removing"
7. Remove the starter. → 276019 Removing and installing starter - chapter on "Removing"
8. Remove clutch slave cylinder. → 303019 Removing and installing clutch slave cylinder - chapter on "Removing"

## Removing transmission

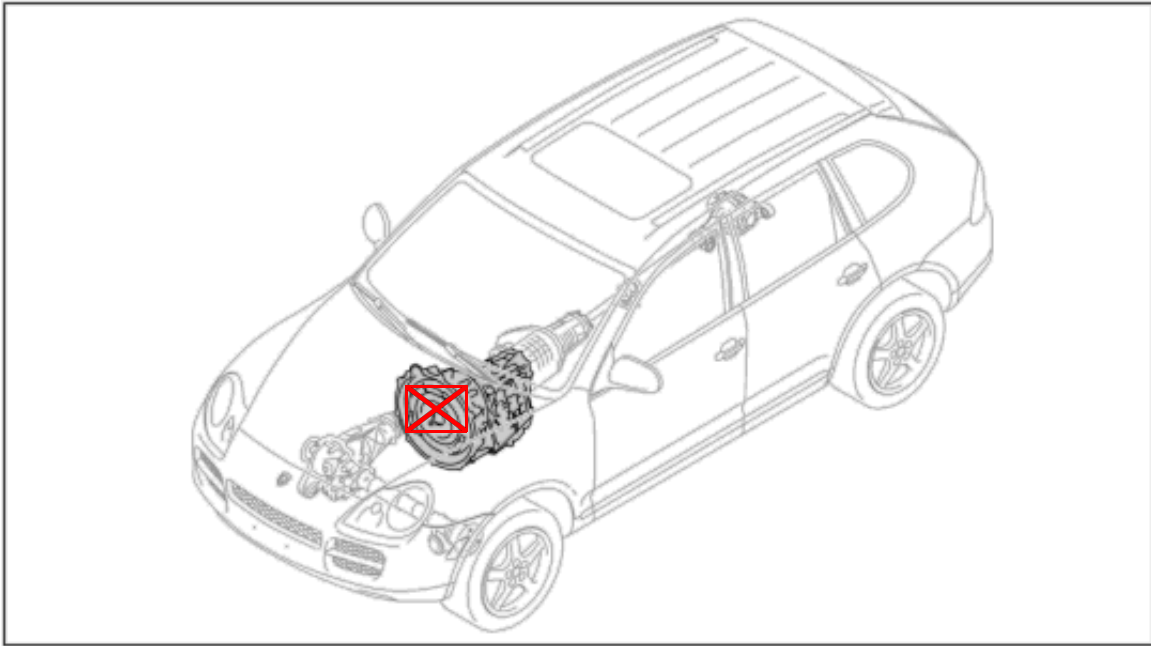
### Removing transmission



#### Note

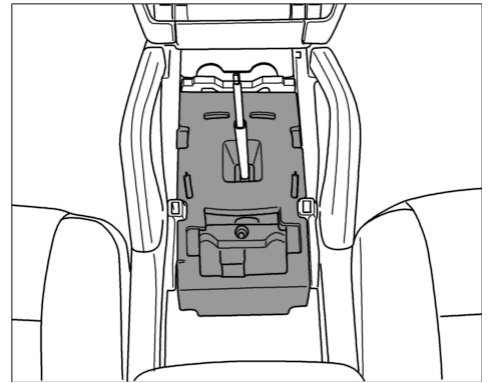
- *The cables do not have to be separated from the transmission in order to remove the transmission.*

### Installation Location:



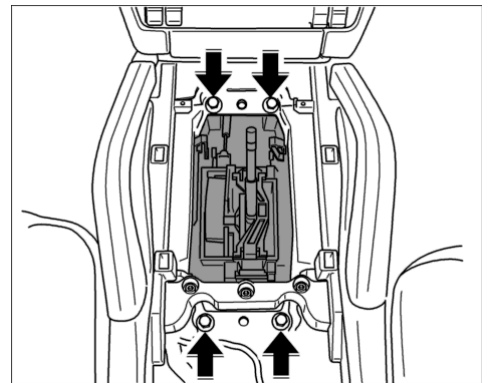
*Overview of transmission*

1. Remove insulating mat.



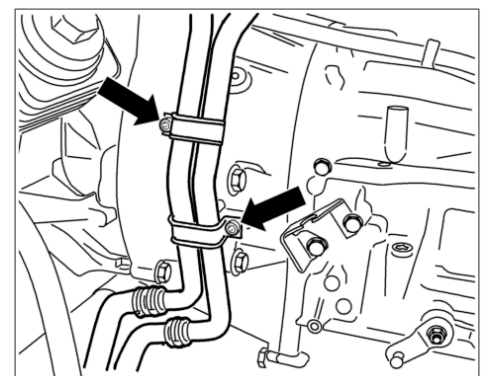
*Insulating mat for centre console*

2. Unscrew fastening screws for securing bottom section of gearshift bracket to body.

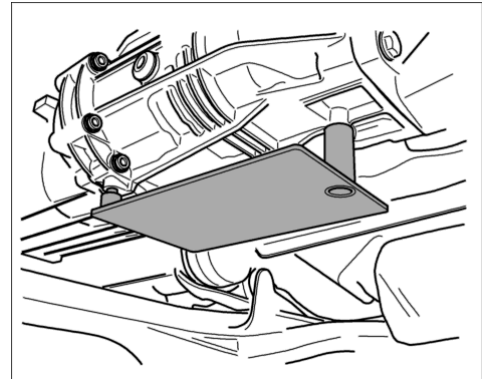
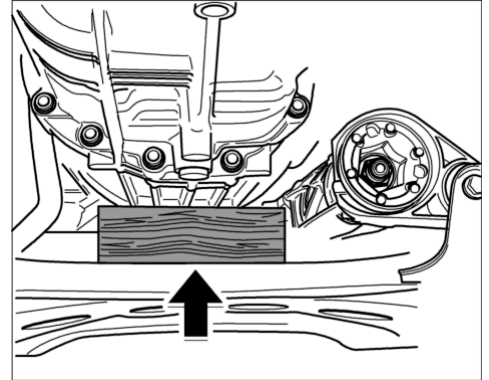


*Threaded joint on bottom section of gearshift bracket*

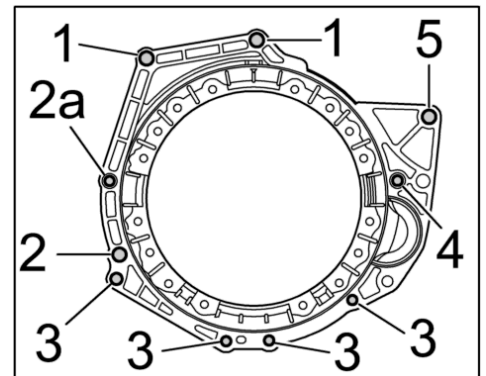
3. Unscrew coolant pipe fastening screws on converter bell housing.



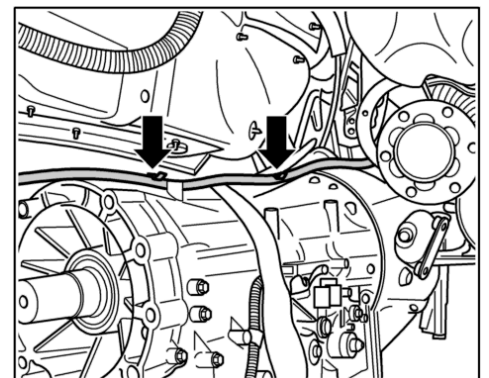
Support for coolant pipes



Plate



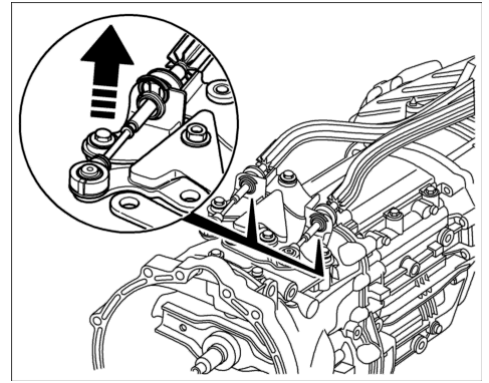
Transmission to V6 engine threaded joint



Support for transmission vent line

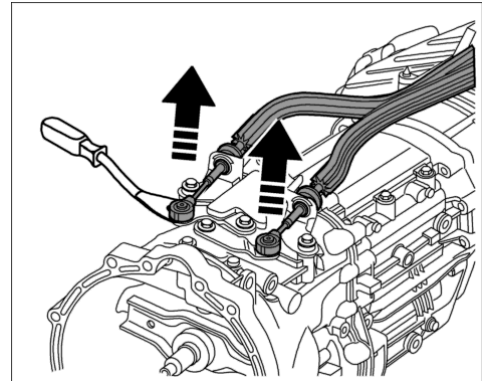
 **Note**

- When removing the transfer box, support manual transmission with a **wooden block** on the suspension subframe.
- Remove transfer box. → 396519 Removing and installing transfer box - chapter on "Removing" .
  - Support manual transmission with special tool **plate** and **transmission jack** .
  - Unscrew fastening screws for securing transmission to engine. This involves unscrewing four screws on the engine side and six on the transmission side.
  - Push out transmission. Pull off vent line for the transfer box.
  - Remove circlips on support on the transmission.



Disassembly of circlips

9. Remove shift and selector cables from support using special tool **removal tool, universal nr.21**. Remove selector support with cables.



Disassembly of shift and selector cables

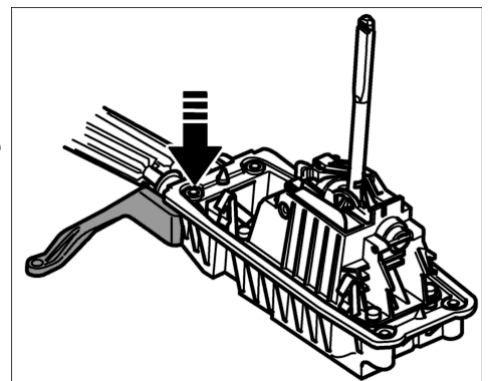
## Installing transmission

### Installing transmission



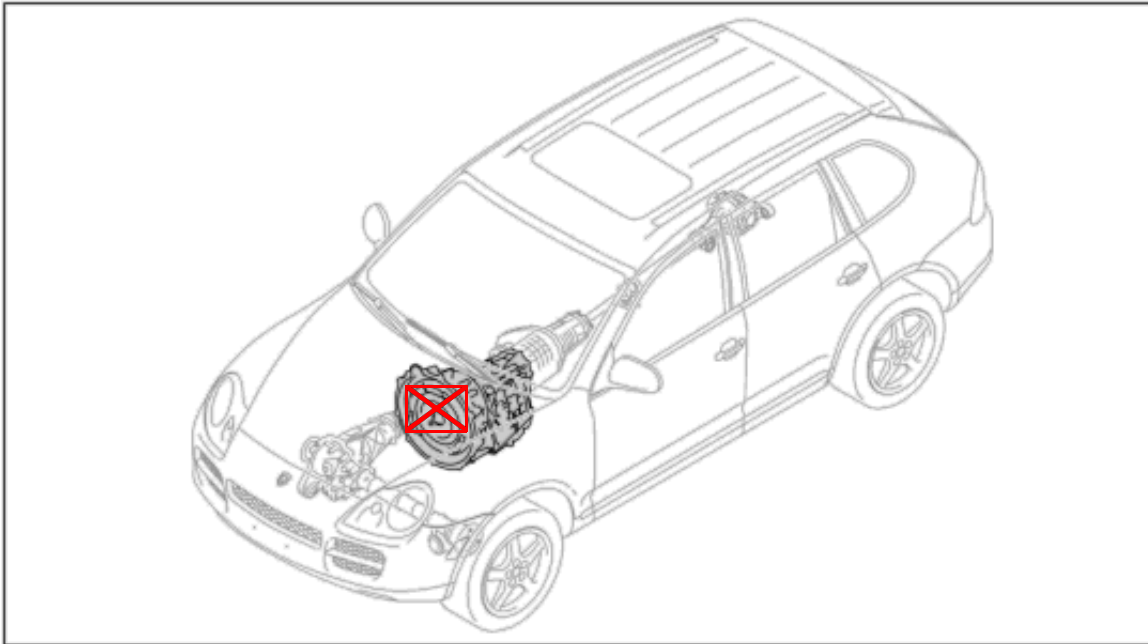
#### Note

- If available: remove assembly aids from production on bottom section of gearshift bracket **-arrow-**. These were only needed for the first installation in order to align the gearshift bracket.



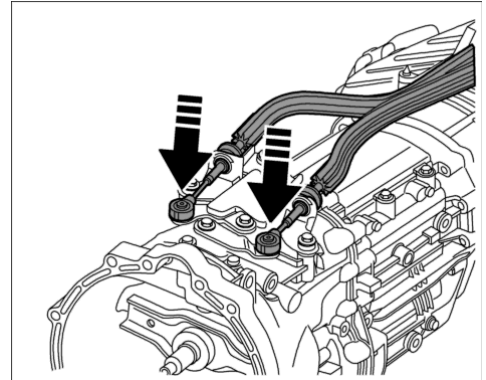
Removing the assembly aids

#### Installation Location:



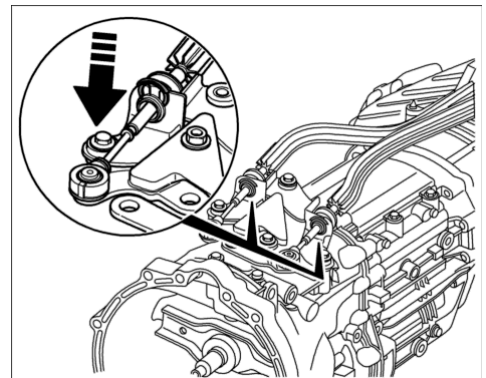
*Overview of transmission*

1. Fasten the shift and selector cables to the ball head joint on the support.



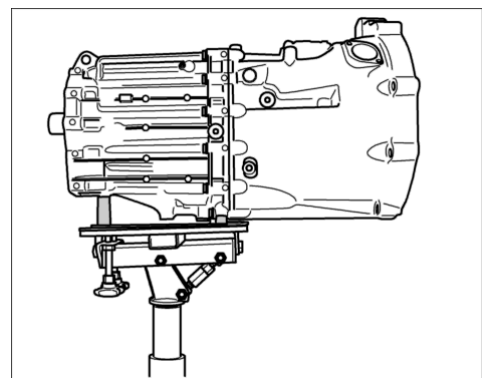
*Assembly of shift and selector cables*

2. Install circlips **-inset-** on support on the transmission.



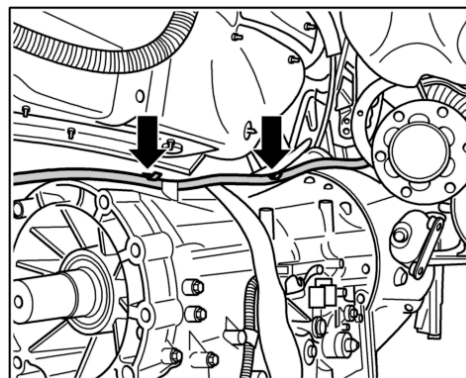
*Assembly of circlips*

3. Raise manual transmission with special tool **plate** and **transmission jack**.



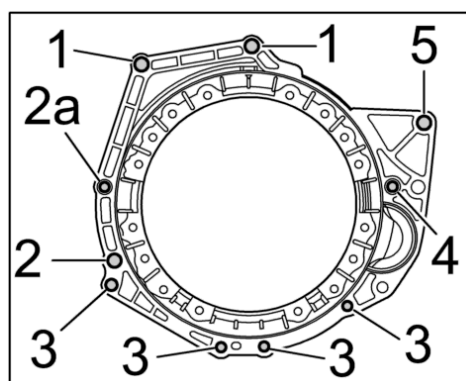
*Transmission on transmission jack*

4. Run in transmission. Connect vent line for the transfer box.



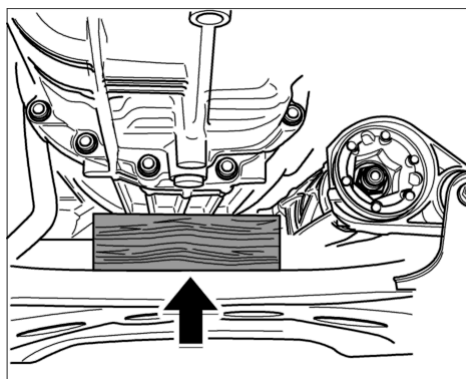
*Vent line support*

5. Screw in fastening screws for securing transmission to engine. This involves screwing in four screws on the engine side and six on the transmission side. → **Tightening torque: 59 ftlb.** → **Tightening torque: 59 ftlb.** → **Tightening torque: 59 ftlb.** → **Tightening torque: 33 ftlb.** → **Tightening torque: 59 ftlb.** → **Tightening torque: 59 ftlb.**



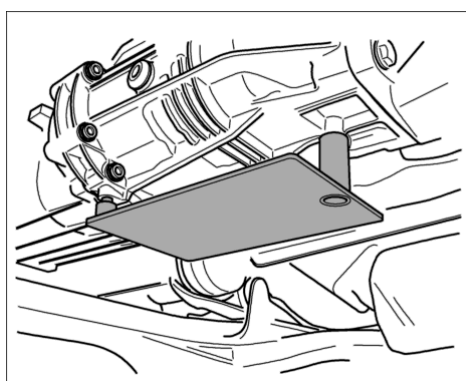
*Fastening screws for securing transmission to engine*

6. Support transmission with a **wooden block** on the suspension subframe.



*Supporting transmission*

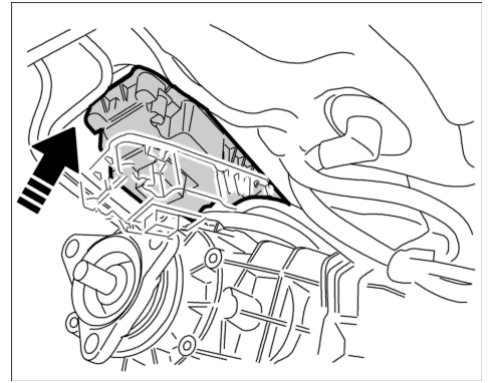
7. Remove special tool **plate 9725**.



*Removing plate*

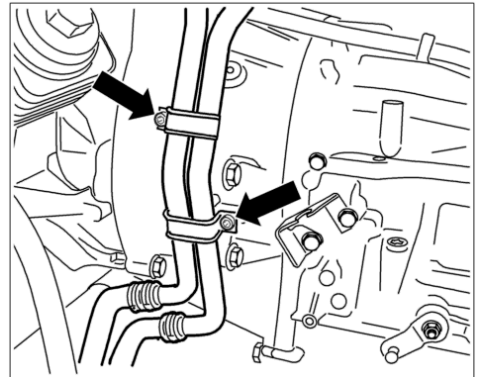
8. Insert gearshift bracket into the opening in the centre tunnel from below.
9. Install transfer box → 396519 Removing and installing transfer box - chapter on "Installing".





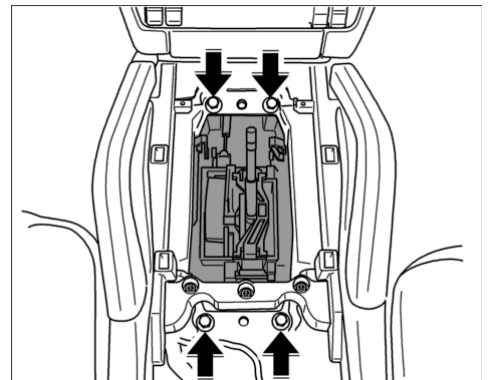
*Inserting gearshift bracket*

10. Screw in coolant pipe fastening screws on converter bell housing.



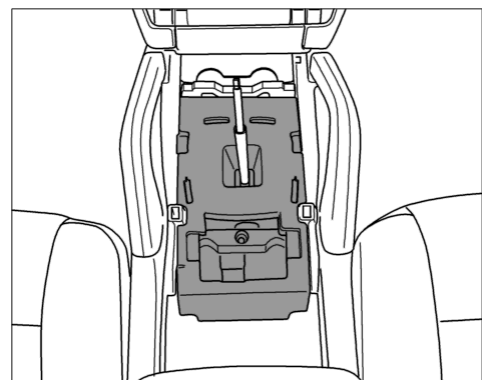
*Support for coolant pipes*

11. Screw in fastening screws for securing bottom section of gearshift bracket to body. → **Tightening torque: 18 ftlb.**



*Threaded joint on bottom section of gearshift bracket*

12. Insert insulating mat.
13. Fit centre console trim. → 681719 Removing and installing centre console - chapter on "Installing"



*Insulating mat for centre console*

## Subsequent work for transmission

## Touch up for transmission

1. Install clutch slave cylinder. → 303019 Removing and installing clutch slave cylinder - chapter on "Installing"
  2. Install the starter. → 276019 Removing and installing starter - chapter on "Installing"
  3. Install front cardan shaft. → 390219 Removing and installing front cardan shaft - chapter on "Installing"
  4. Install rear cardan shaft. → 393519 Removing and reinstalling rear cardan shaft - chapter on "Installing"
  5. Fit engine guard. → 108019 Removing and installing engine guard - chapter on "installing"
  6. Install shift-lever knob → 340419 Removing and installing shift-lever knob - chapter on "Installing".
  7. Connect battery. → Work instructions after disconnecting the battery
- 

9PAAD7

as of MY 2003

Country C00, C02, C05, C07, C08, C09, C10, C11, C12, C13, C14, C15, C16, C18, C19, C20, C21, C22, C23, C24, C25, C26, C27, C28, C32, C33, C34, C35, C36, C37, C38, C39, C45, C46, C98, C99