

**WARNUNG**

**Gefahr des Verlusts der Text-Bild-Zuordnung beim Ausdruck.**

- **Aus technischen Gründen kann derzeit nicht ausgeschlossen werden, dass trotz einwandfreier Darstellung auf dem Bildschirm beim Ausdruck der Zusammenhang von Text und zugehörigem Bild verloren geht.**
- **Wird der Fehler nicht bemerkt, besteht die Gefahr, daß Arbeiten nicht korrekt durchgeführt werden und es dadurch zu Personen- und Sachschäden kommt.**

→ Vergleichen Sie deshalb nach dem Druckvorgang unbedingt die Ausdrücke mit der Bildschirmdarstellung. Korrigieren Sie die Ausdrücke im Fehlerfall so, daß der Inhalt der Bildschirmdarstellung zutreffend wiedergegeben wird.

**WARNING**

**Danger of losing text-figure correspondence when printing out.**

- **For technical reasons, it can currently not be ruled out that the correspondence between text and associated figure can be lost when it is printed out, even though the display on the screen is correct.**
- **If the fault is not noticed, there is the danger that work will not be performed correctly which can cause injury and damage.**

→ Therefore, always compare printouts with the screen display after printing them out. Correct the printouts if they are faulty so that the content of the screen display matches that on the printouts.

**AVERTISSEMENT**

**Risque de perte de la correspondance texte-illustration lors de l'impression papier.**

- **Pour des raisons techniques, il ne peut pas être exclu à l'heure actuelle que, même en cas d'affichage correct à l'écran, la correspondance entre le texte et l'illustration puisse être erronée sur l'impression papier.**
- **Si l'erreur passe inaperçue, on court le risque d'exécuter certaines opérations de manière incorrecte pouvant conduire à des dommages corporels et matériels.**

→ Comparez impérativement pour cette raison les impressions papier avec l'affichage à l'écran. Corrigez-les en cas d'erreur de manière à reproduire correctement l'affichage à l'écran.

**ATTENZIONE**

**Pericolo di perdita dell'abbinamento testo-immagine nella stampa.**

- **Per motivi tecnici non è escluso che, nonostante la rappresentazione sullo schermo risulti perfetta, durante la stampa venga persa la corrispondenza fra testo e relativa immagine.**
- **Se tale difetto non viene rilevato vi è il pericolo che i lavori non siano eseguiti correttamente; ciò può avere come conseguenza lesioni e danneggiamenti.**

→ Per questo motivo, dopo la stampa è assolutamente necessario confrontare le stampe con la rappresentazione sullo schermo. In caso di errore si prega di correggere le stampe, così da garantire la riproduzione esatta della rappresentazione sullo schermo.

**ADVERTENCIA**

**Al imprimir se corre el riesgo de perder la correcta asignación de las figuras al texto.**

- Por motivos técnicos, por el momento no se puede descartar que, aun siendo correcta la imagen que aparezca en la pantalla, al imprimir se pierda la correlación entre el texto y la figura correspondiente.
- Si este error pasara desapercibido, existe el riesgo de que los trabajos no se ejecuten de forma correcta y, por tanto, se produzcan daños personales y materiales.

→ Por ello le rogamos que tras el proceso de impresión compare siempre las copias impresas con la imagen de la pantalla. En caso de error, corrija las copias impresas de forma que se correspondan con el contenido de la imagen de la pantalla.

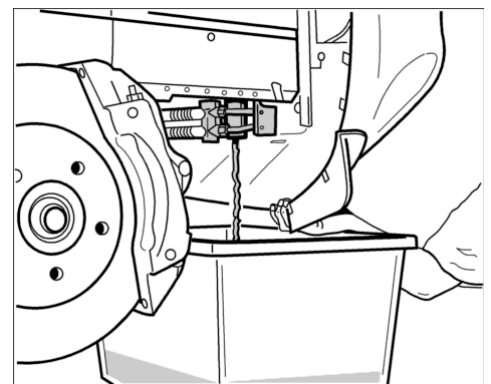
## 19 58 19 Removing and installing coolant regulator (thermostat) - as of MY 2004

- [Preliminary work](#)
- [Information](#)
- [Removing coolant regulator](#)
- [Installing coolant regulator](#)
- [Subsequent work](#)

### Preliminary work

#### Preliminary work

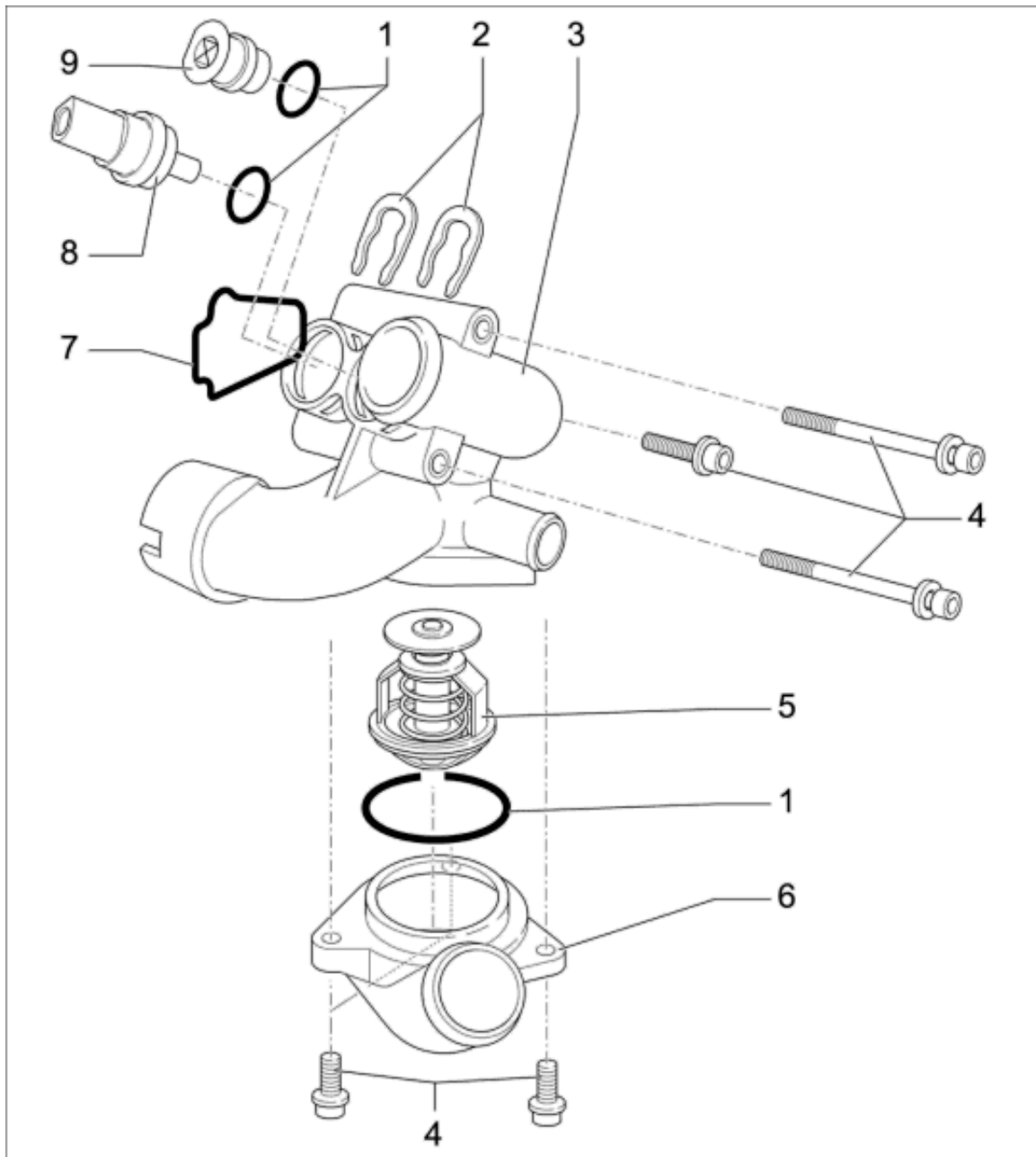
1. Remove transmission. → 373519 Removing and installing transmission - chapter on "Removing" [9PAAD1] → 373519 21 Removing and installing transmission - chapter on "Removing" [9PAAD7] or → 343519 Removing and installing transmission [9PAAD7] → 343519 Removing and installing transmission [9PAAD1]
2. Remove the front engine guard. → 108019 Removing and installing engine guard - chapter on "Removing"
3. Drain cooling system. → 193817 Draining and filling coolant (includes bleeding)



*Draining cooling system*

### Information

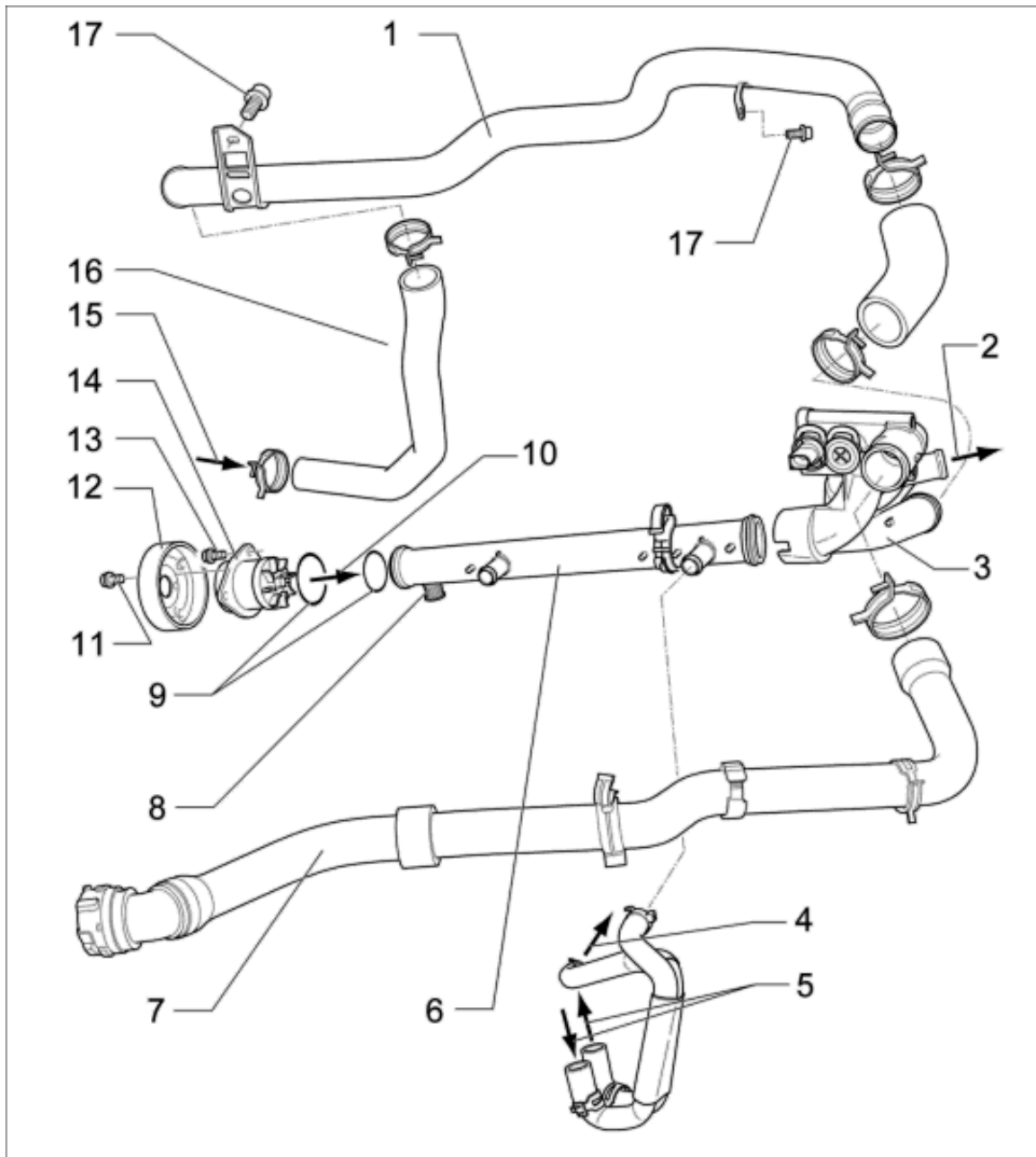
#### Component overview



*Thermostat components*

- 1- - O-ring; replacing
- 2- - Clamp; replace if damaged
- 3- - Thermostat housing
- 4- - → **Tightening torque: 6 ftlb.** fastening screw
- 5- - Coolant regulator; pay attention to the direction of installation → **Start of opening temperature: 80 °C** → **End of opening temperature: 107 °C** → **Opening stroke: 7 mm**
- 6- - Adapter; pay attention to the installation position
- 7- - Moulded seal; replacing
- 8- - Temperature sensor for coolant temperature
- 9- - Plug

## Coolant pump components



### Components

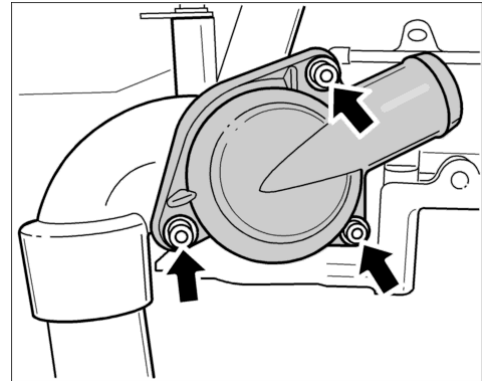
- 1- - Coolant pipe
- 2- - Wiring for reservoir
- 3- - Thermostat housing
- 4- - Connection wires on cylinder block
- 5- - Connections on oil/water heat exchanger
- 6- - Coolant pipe
- 7- - Coolant hose; flange must engage with an audible click
- 8- - → **Tightening torque: 2 ftlb.**
- 9- - O-ring; replacing
- 10- - Fuel feed direction of coolant pump
- 11- - → **Tightening torque: 15 ftlb.**
- 12- - Pulley
- 13- - → **Tightening torque: 6 ftlb.**
- 14- - Coolant pump; check for smooth operation
- 15- - Direction of flow - coming from radiator
- 16- - Hose line - coming from radiator

**-17-** - → **Tightening torque: 6 ftlb.**

## Removing coolant regulator

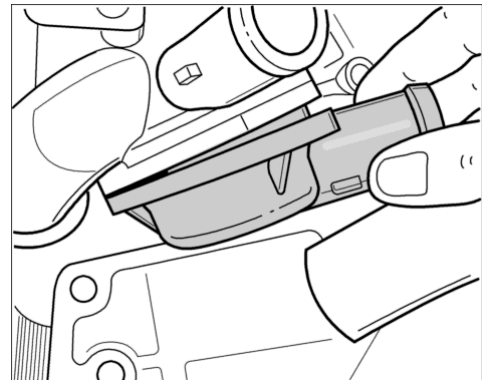
### Remove coolant regulator

1. Pull hoses off the thermostat housing from below (transmission area) and then loosen the **-3 fastening screws-** .



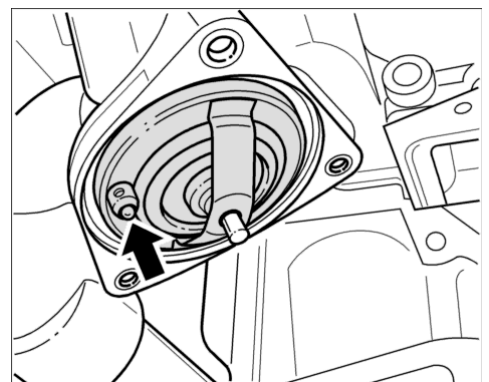
*Mount for thermostat housing*

2. Carefully take off the cover. Coolant emerges.



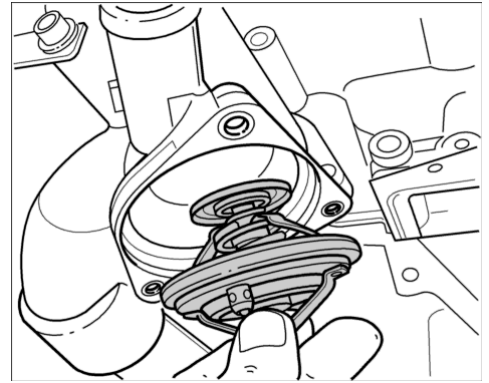
*Thermostat housing*

3. Note or mark position of bleeder valve **-arrow-** .



*Bleeder valve*

4. Remove thermostat from the housing.

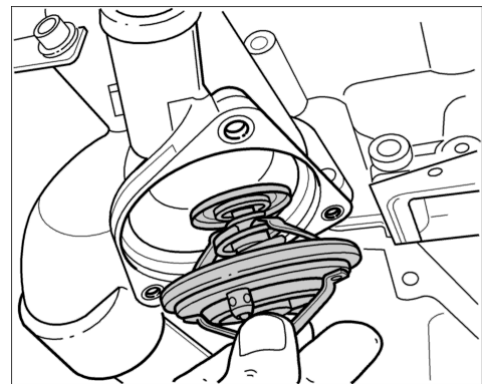


*Thermostat*

## Installing coolant regulator

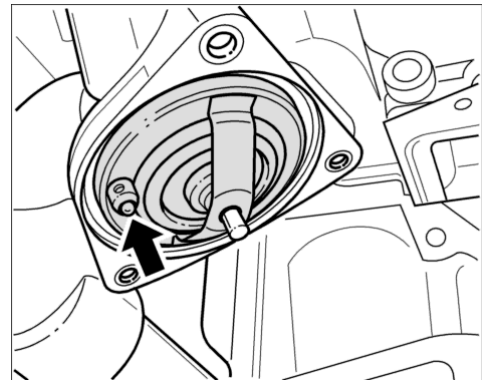
### Installing coolant regulator

1. Insert thermostat with spring up into the housing.



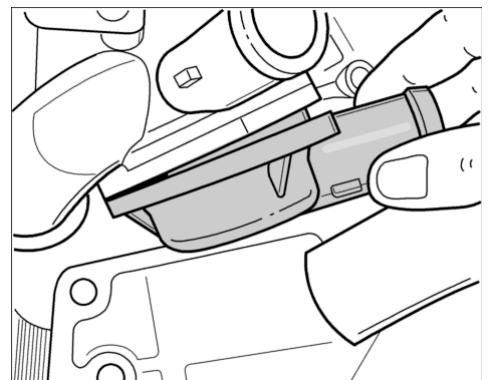
*Thermostat*

2. Align bleeder valve **-arrow-** .



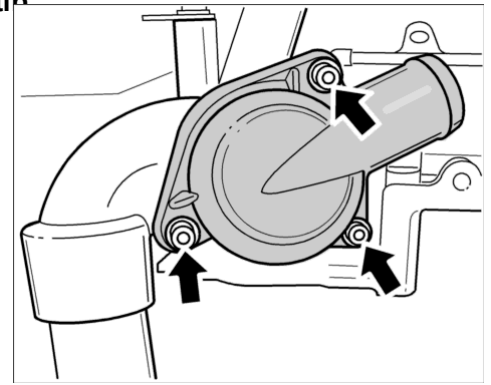
*Bleeder valve*

3. Position housing cover with new seal.



*Housing cover*

4. Tighten the 3 fastening screws **-arrows-** . → **Tightening torque: 6 ftlb**
5. Connect coolant hoses and fit spring-band clamps.



*Fastening screws for thermostat housing*

## Subsequent work

### Subsequent work

1. Install transmission. → 373519 Removing and installing transmission - chapter on "Installing" [9PAAD1] → 373519 23 Removing and installing transmission - chapter on "Installing" [9PAAD7] or → 343519 Removing and installing transmission [9PAAD7] → 343519 Removing and installing transmission [9PAAD1]
2. Fill and bleed the cooling system according to instructions. → 193817 Draining and filling coolant (includes bleeding) - chapter on "Filling"

---

9PAAD1, 9PAAD7

as of MY 2004

Country C00, C02, C05, C07, C08, C09, C10, C11, C12, C13, C14, C15, C16, C18, C19, C20, C21, C22, C23, C24, C25, C26, C27, C28, C32, C33, C34, C35, C36, C37, C38, C39, C45, C46, C98, C99